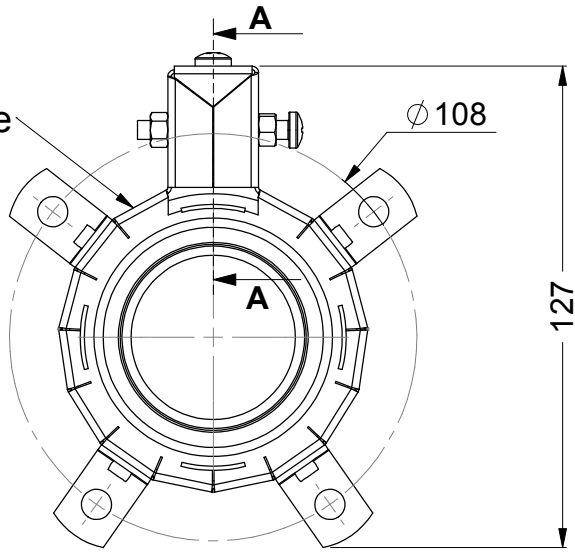


0.95 Steel Case



127

Ø 45

Ø 59

Ø 57

204

91

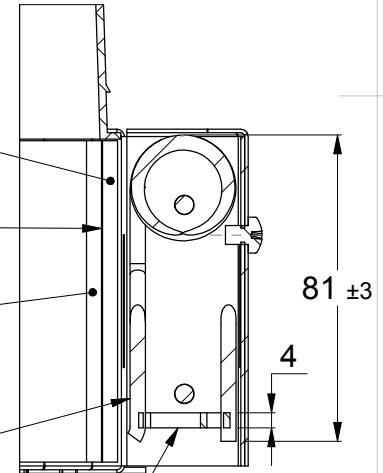
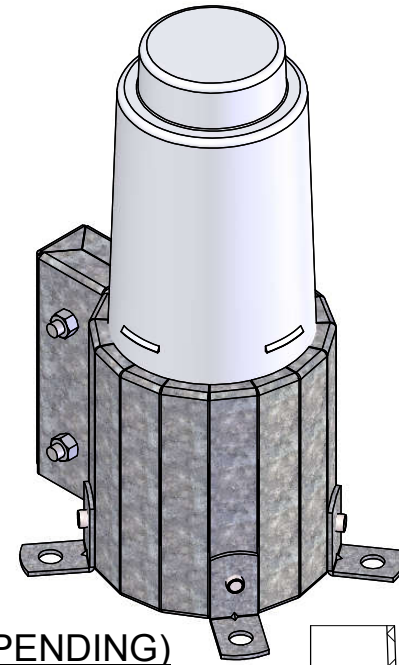
INTUMESH (PAT PENDING)

Intumescent-A
215 x 85 x 4mm Thick ± 0.5mm

316 S/S Mesh 190 x 84mm
Wire Ø 0.15 mm 30 sq in

Intumescent-B
190 x 85 x 4mm Thick ± 0.5mm

1 x 304 Stainless Steel Springs
Wire Ø 4.00 mm



SECTION A-A

Nylon Fuse Link
(Black)



PRODUCT CODE:

GAS50C

UNLESS OTHERWISE SPECIFIED:
DIMENSIONS ARE IN MILLIMETERS
DO NOT SCALE DRAWING

DWG NO:
GAS50C-T

DATE:
5/10/2017

A4