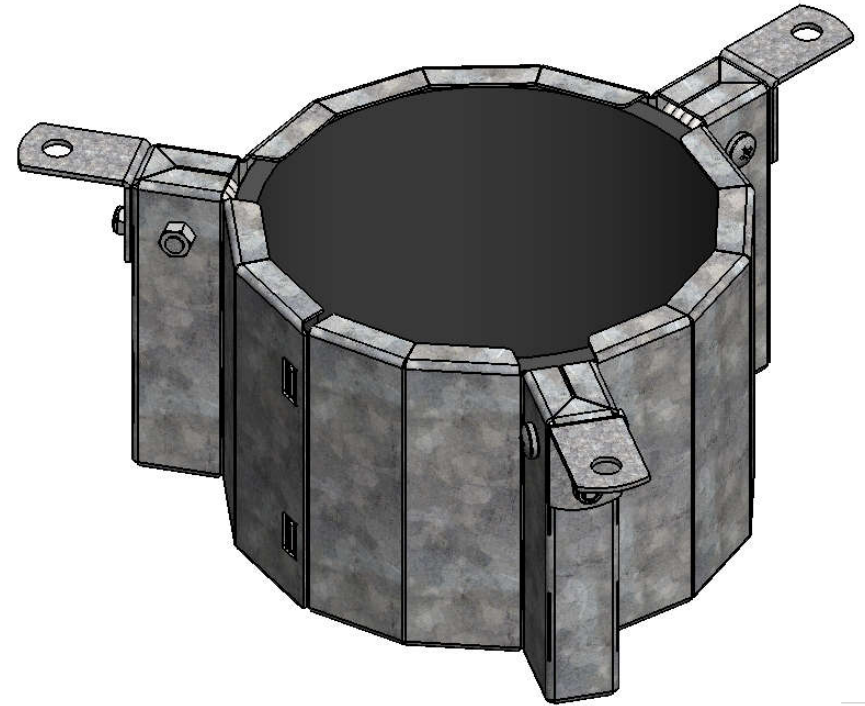
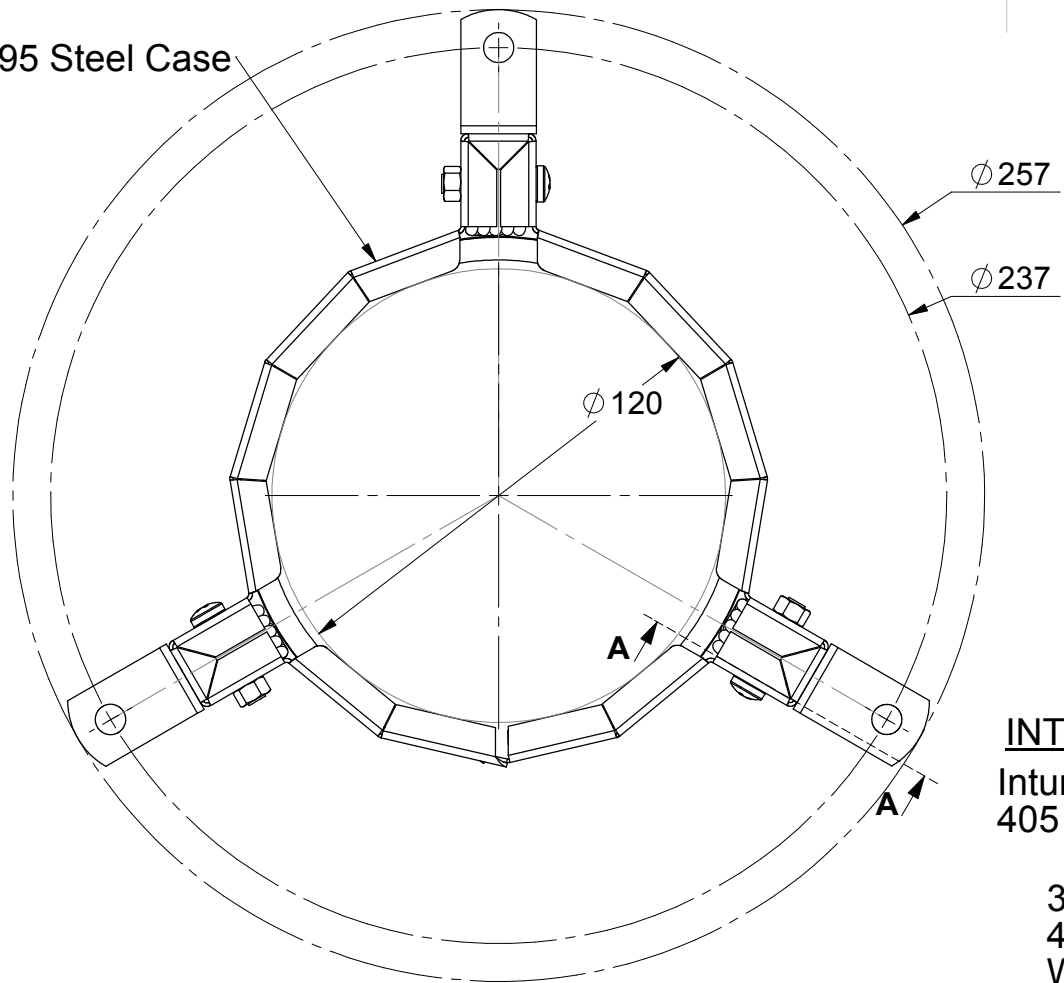


0.95 Steel Case

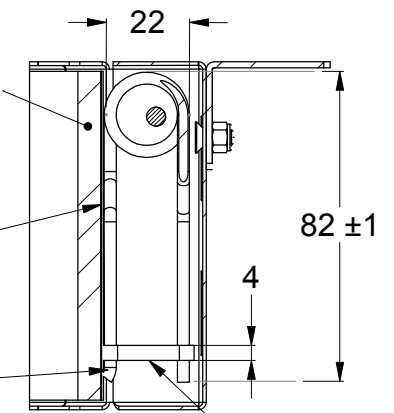


INTUMESH (PAT PENDING)

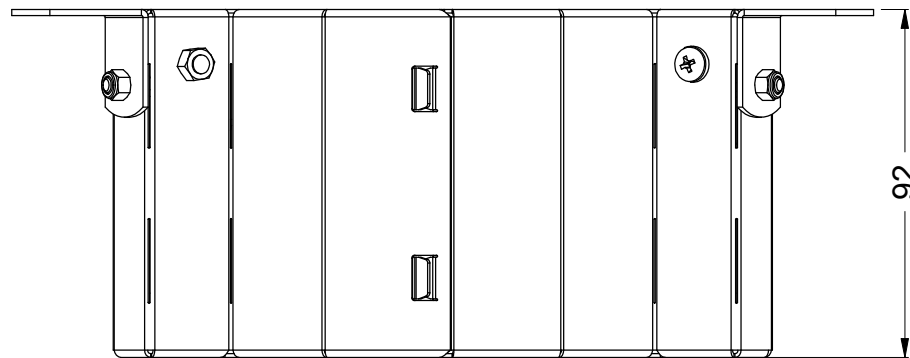
Intumescent
405 x 87 x 6mm Thick ± 0.5 mm

316 S/S Mesh
425 x 87mm
Wire $\phi 0.15$ mm 30 sq in

3 x 304 Stainless Steel
Springs
Wire $\phi 3.15$ mm



SECTION A-A Nylon Fuse Link



92

UNLESS OTHERWISE SPECIFIED:
DIMENSIONS ARE IN MILLIMETERS
DO NOT SCALE DRAWING



PRODUCT CODE:

HP100R

DWG NO:
HP100R - T

DATE:
5/10/2017

A4