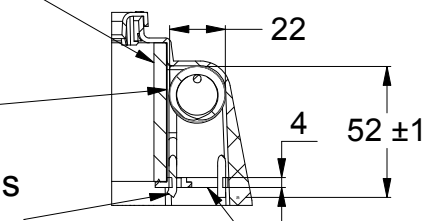


**INTUMESH (PAT. PENDING)**

Intumescent  
230 x 55 x 5mm Thick  $\pm$  0.5mm

316 S/S Mesh  
268 x 53mm  
Wire  $\phi$  0.15 mm 30 sq in

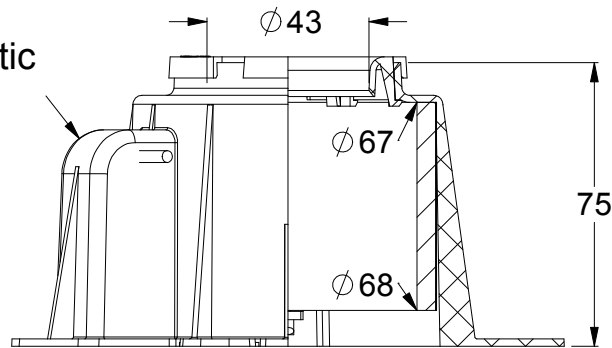
3 x 304 Galvanised Steel Springs  
Wire  $\phi$  3.15 mm



**DETAIL A-A PART VIEW**

Nylon Fuse Link  
(Natural)

Moulded Plastic  
Body



UNLESS OTHERWISE SPECIFIED:  
DIMENSIONS ARE IN MILLIMETERS  
DO NOT SCALE DRAWING



PRODUCT CODE:

**L40-50S**

DWG NO:  
L40-50S-T

DATE:  
28/09/2017

A4