

6

5

4

3

2

1

D

D

C

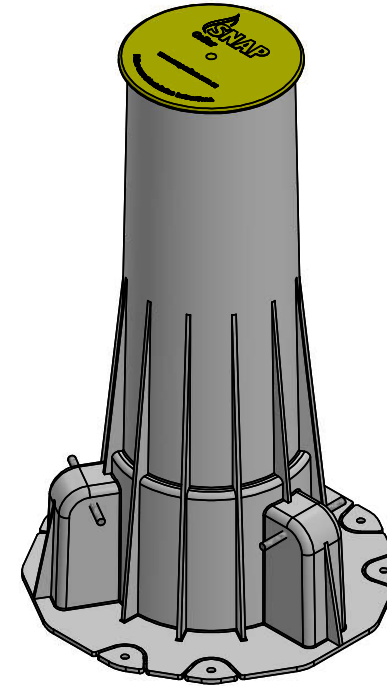
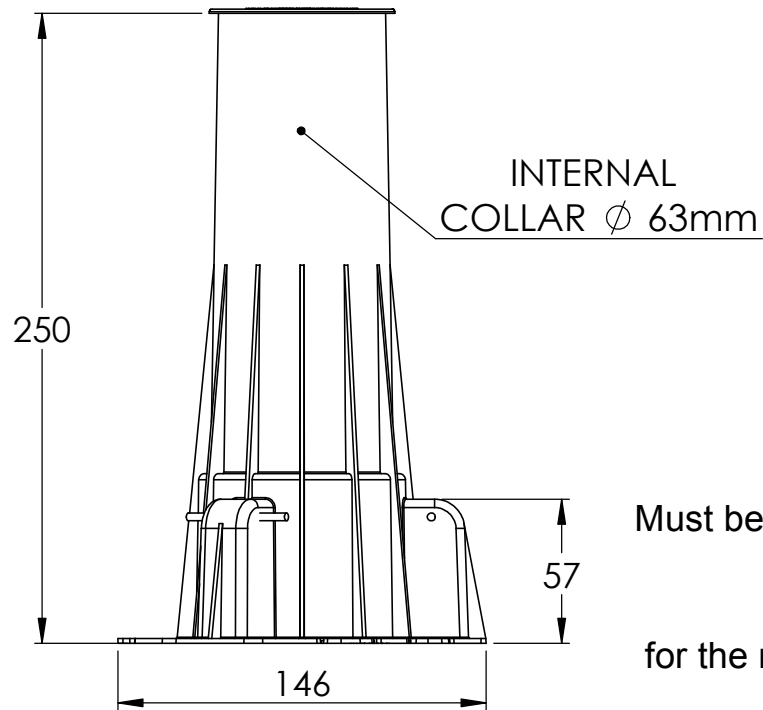
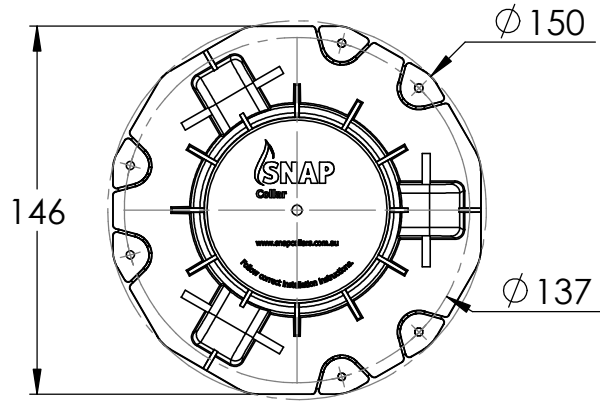
C

B

B

A

A



Check the product prior to Installation.
 Must be Installed In accordance with the Installation Instructions.
 Only fix using approved fixings.

Refer to www.snapcollars.com.au
 for the range of tested applications and Installation Instructions.



SNAP FIRE SYSTEMS

1343 Wynnum Rd, Tingalpa, QLD, 4173, Australia
 ☎ 1300 76 46 26
 ☎ +61 (0)7 3390 5420
 ☎ +61 (0)7 3348 9417
 ✉ info@snapcollars.com.au
www.snapcollars.com.au

TITLE:

SNAP 50 High-Top
 Stack

DWG NO.

H50S-RR

A4

SCALE:1:3

DO NOT SCALE DRAWING

WEB

6

5

4

3

2

1