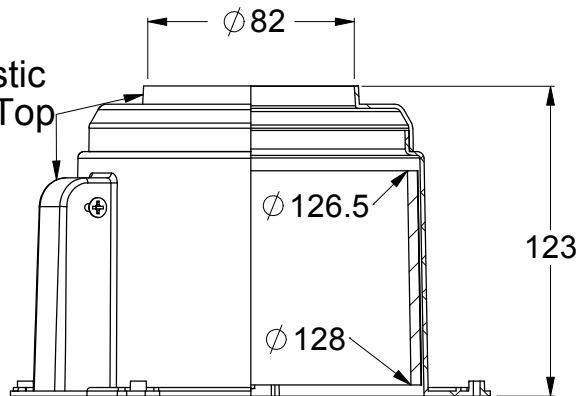


INTUMESH (PAT PENDING)

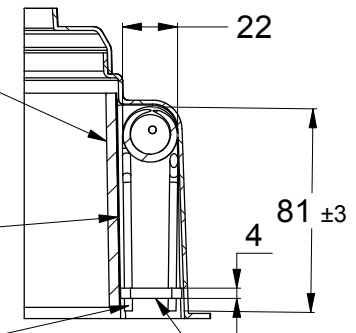
Moulded Plastic
Base & Low Top



Intumescent
412 x 85 x 4mm Thick ± 0.5mm

304 S/S Mesh
460 x 85mm
Wire Ø 0.15 mm 30 sq in

3 x Galvanised Steel Springs
Wire Ø 3.15 mm



Nylon Fuse Link

DETAIL A-A PART VIEW



PRODUCT CODE:

L80S

DWG NO:
L80S-T

DATE:
25/06/2014

A4

UNLESS OTHERWISE SPECIFIED:
DIMENSIONS ARE IN MILLIMETERS
DO NOT SCALE DRAWING