

Rubber Ring Seal

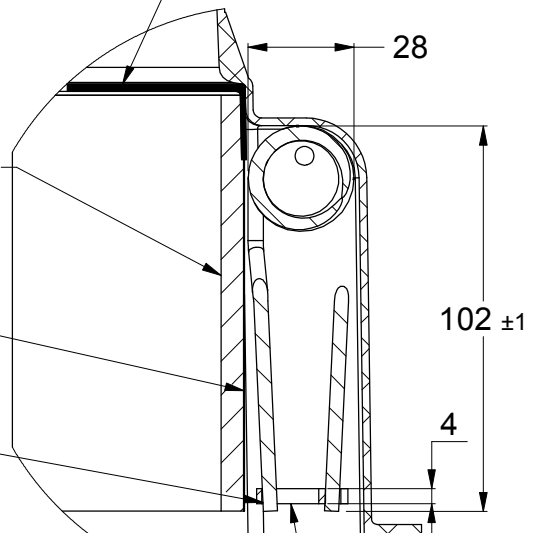
INTUMESH (PAT PENDING)

Intumescent
588 x 110 x 6mm Thick ± 0.5mm

304 S/S Mesh
640 x 109mm

Wire Ø 0.15 mm 30 sq in

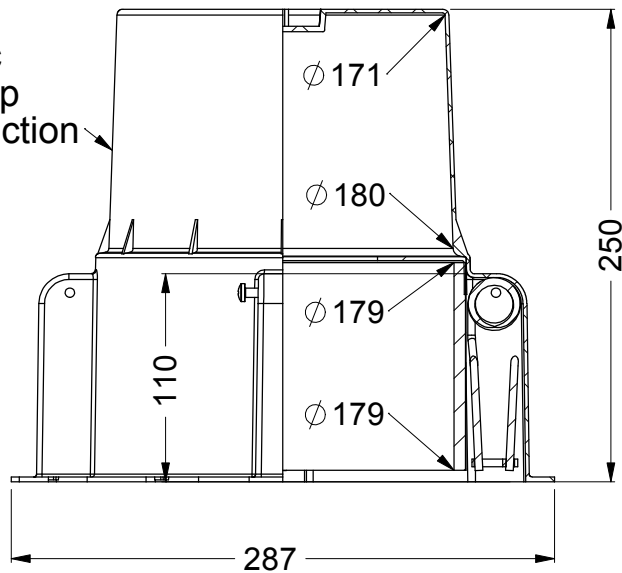
4 x Galvanised Steel Springs
Wire Ø 4.00 mm



**DETAIL A-A PART VIEW
SCALE 1 : 2**

Nylon Fuse Link
(Natural)

One Piece
Moulded Plastic
Base & High Top
2.0 mm Wall Section



PRODUCT CODE:

H150S-RR

DWG NO:
H150S-RR-T

DATE:
21/03/2016

A4

UNLESS OTHERWISE SPECIFIED:
DIMENSIONS ARE IN MILLIMETERS
DO NOT SCALE DRAWING