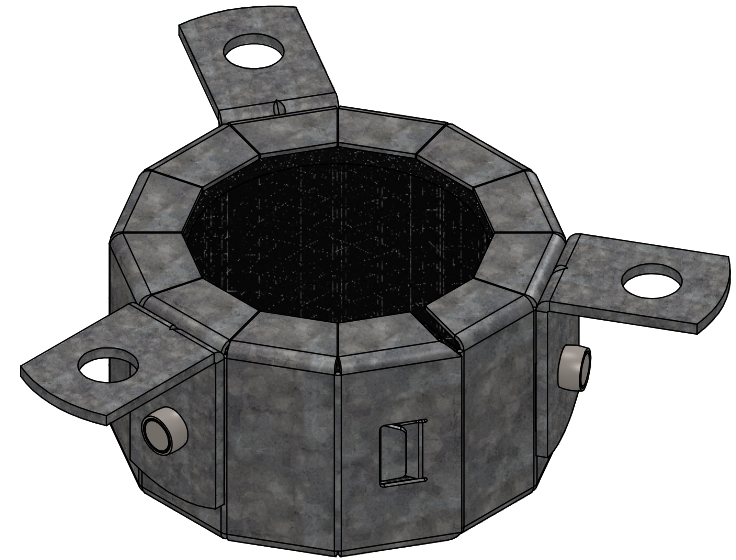
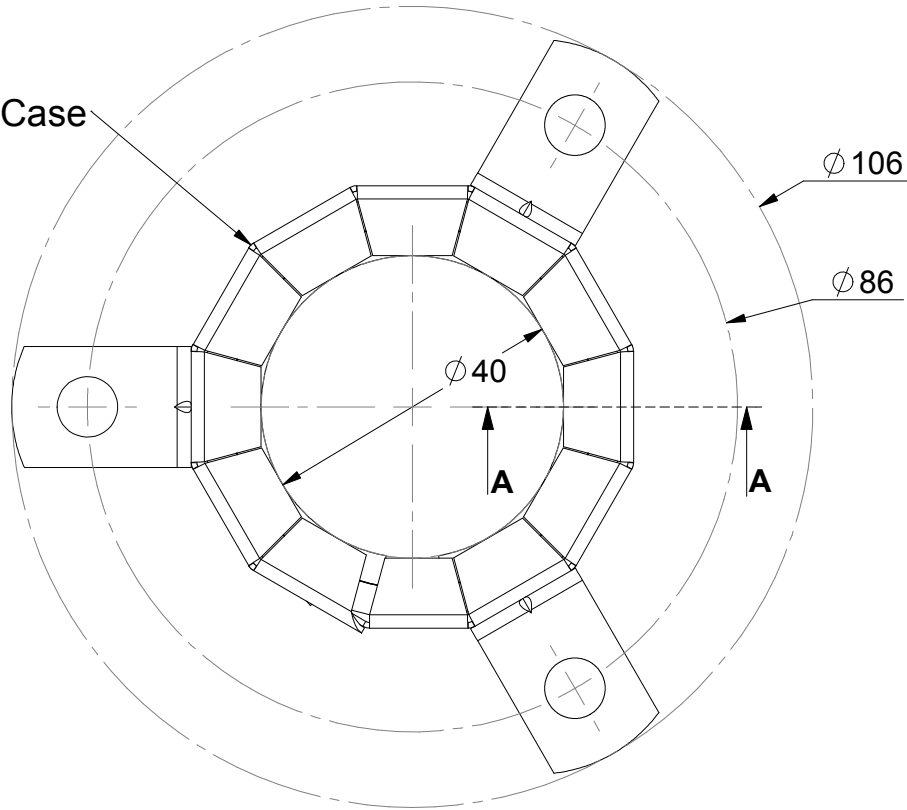
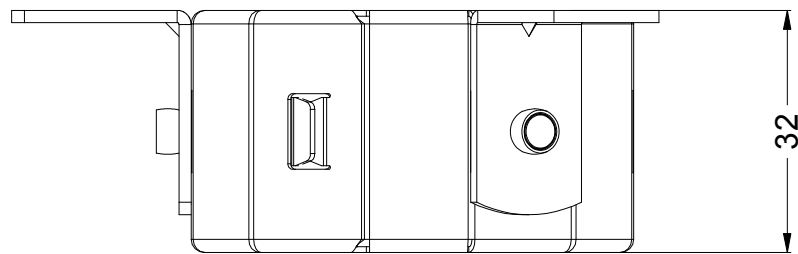
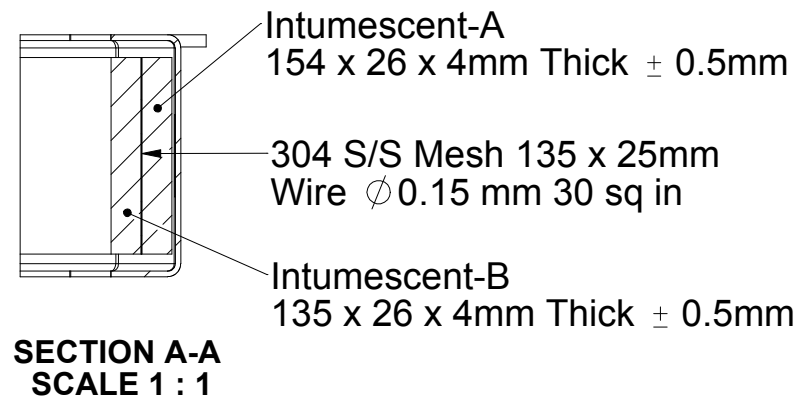


0.75 Steel Case



INTUMESH (PAT PENDING)



UNLESS OTHERWISE SPECIFIED:
DIMENSIONS ARE IN MILLIMETERS
DO NOT SCALE DRAWING



PRODUCT CODE:

32R

DWG NO:
32R-T

DATE:
12/02/2015

A4