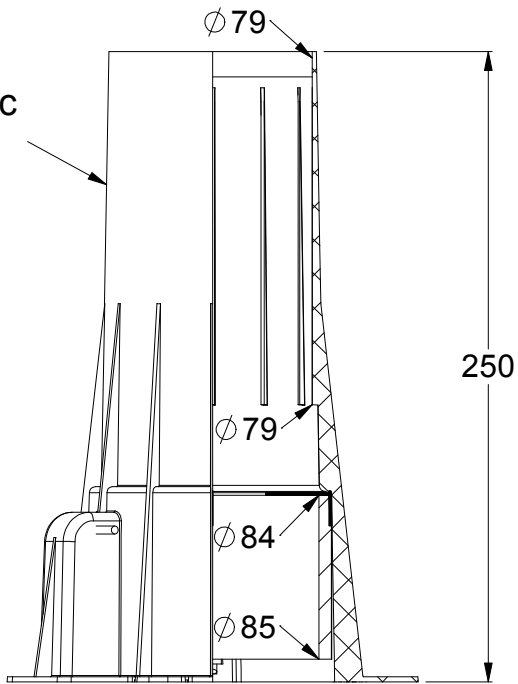


Moulded Plastic Body

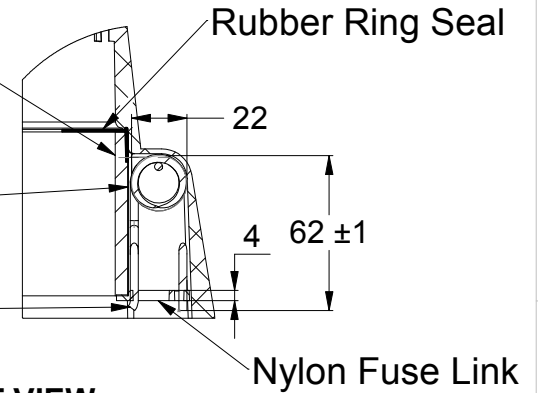


INTUMESH (PAT. PENDING)

Intumescent
280 x 65 x 5mm Thick ± 0.5 mm

304 S/S Mesh
322 x 65mm
Wire $\phi 0.15$ mm 30 sq in

3 x Galvanised Steel Springs
Wire $\phi 3.15$ mm



DETAIL A-A PART VIEW



PRODUCT CODE:

H65S-RR

DWG NO:
H65S-RR-T

DATE:
23/04/2015

A4

UNLESS OTHERWISE SPECIFIED:
DIMENSIONS ARE IN MILLIMETERS
DO NOT SCALE DRAWING