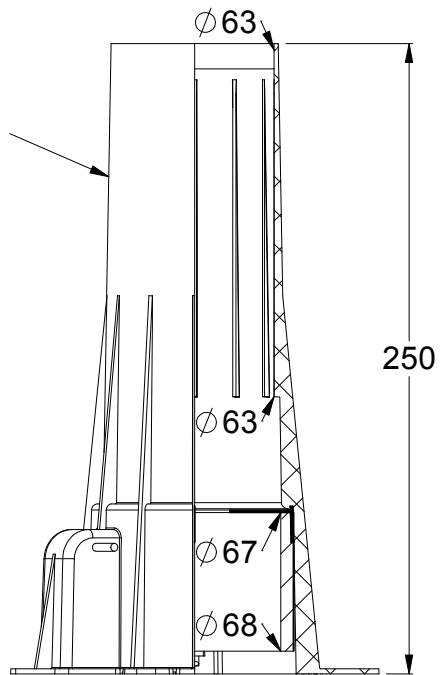


Moulded Plastic Body



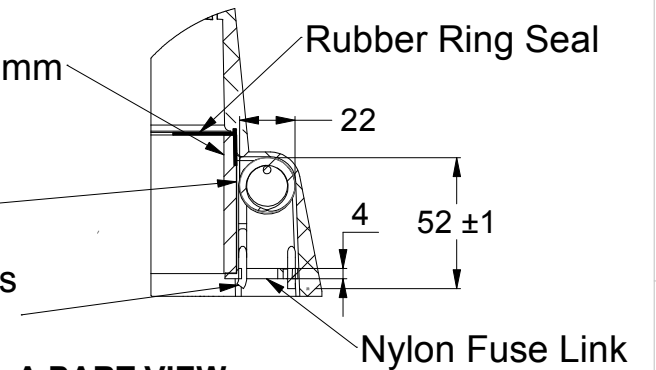
INTUMESH (PAT. PENDING)

Intumescent
230 x 55 x 5mm Thick $\pm 0.5\text{mm}$

304 S/S Mesh
268 x 55mm

Wire $\phi 0.15\text{ mm}$ 30 sq in

3 x Galvanised Steel Springs
Wire $\phi 3.15\text{ mm}$



DETAIL A-A PART VIEW



PRODUCT CODE:

H50S-RR

DWG NO:
H50S-RR-T

DATE:
23/04/2015

A4

UNLESS OTHERWISE SPECIFIED:
DIMENSIONS ARE IN MILLIMETERS
DO NOT SCALE DRAWING