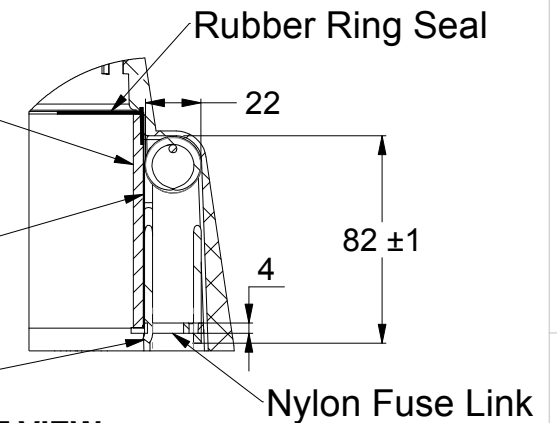


**INTUMESH (PAT. PENDING)**

Intumescent  
412 x 85 x 4mm Thick  $\pm 0.5$ mm

304 S/S Mesh  
460 x 85mm  
Wire  $\phi 0.15$  mm 30 sq in

3 x 304 Stainless Steel Springs  
Wire  $\phi 3.15$  mm



**DETAIL A-A PART VIEW**

UNLESS OTHERWISE SPECIFIED:  
DIMENSIONS ARE IN MILLIMETERS  
DO NOT SCALE DRAWING



PRODUCT CODE:

**H100FWS-RR**

DWG NO:  
H100FWS-RR-T

DATE:  
23/04/2015

A4