

**Product**

**SNAP GAS Collars:  
SNAP GAS 32    SNAP GAS 63  
SNAP GAS 50**

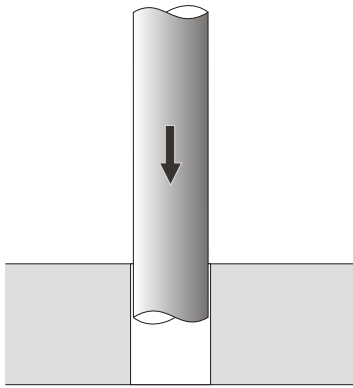
**Situation**

**Retrofit in Concrete slab**

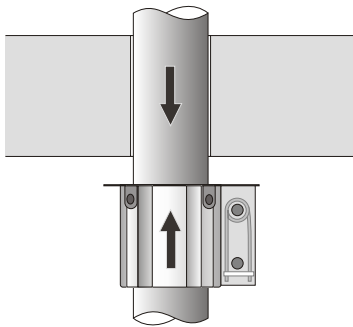
**1**



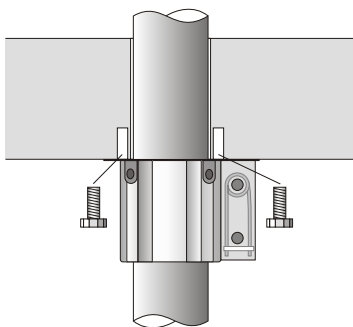
**2**



**3**



**4**



1. Core a hole with an appropriate diameter through the concrete slab.
2. Install the composite gas pipe through the opening in the slab.
3. During the pipe installation slide the SNAP GAS collar onto the pipe.

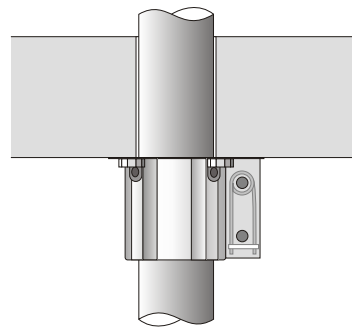


**IMPORTANT** The SNAP GAS collar is installed correctly by orienting the fusible link on the spring away from the floor or wall which is to be protected.

4. Drill and fix the SNAP GAS collar to the underside of the slab using approved fixing.

**Note:** Plastic or chemical anchors are **NOT** to be used.

**5**



**Approved fixings:**

- 6mm Mechanical anchors

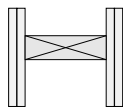
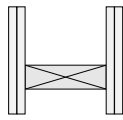
SNAP Fire Systems Pty Ltd  
Unit 2/160 Redland Bay Road  
Capalaba QLD 4157  
Phone 1300 76 46 26  
Website [www.snapcollars.com.au](http://www.snapcollars.com.au)

**Product**

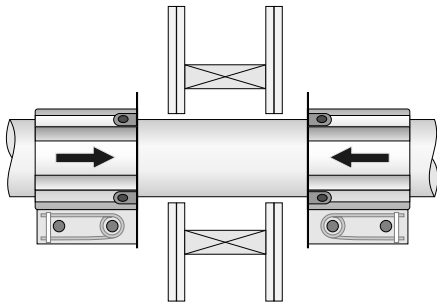
**SNAP GAS Collars:  
SNAP GAS 32      SNAP GAS 63  
SNAP GAS 50**

**Situation**

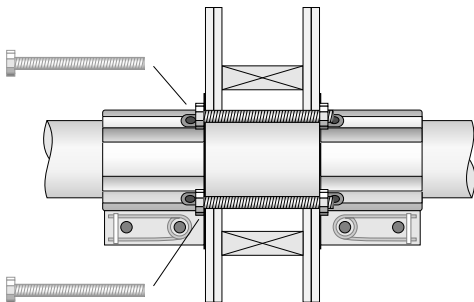
**Retrofit in plaster, masonry,  
block or concrete wall**



**1**

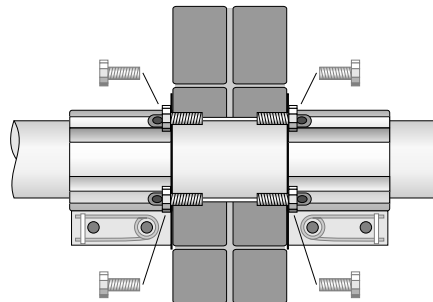


**2**

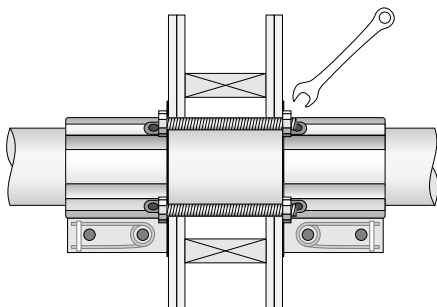


**3**

Plasterboard wall



Masonry, block or concrete wall



**4**

1. Drill or core a hole through the wall.
2. During the pipe installation slide the SNAP GAS collar onto the pipe.  
**!** **IMPORTANT** The SNAP GAS collar is installed correctly by orienting the fusible link on the spring away from the floor or wall which is to be protected.
3. If installing in plasterboard wall: Drill and fix SNAP GAS collar to either side of wall.  
If installing in masonry, block or concrete wall: Mark and drill mounting holes. Masonry anchors/other approved fixing can be used to secure collar to each side.
4. Install pipe. Tighten anchors or nuts if using threaded bar. Do not overtighten nuts.

**Approved fixings:**

**Plasterboard:**

- 6mm Threaded bars
- 32 Gas Only: Hollow Wall Anchors

**Masonry:**

- Masonry anchors

SNAP Fire Systems Pty Ltd  
Unit 2/160 Redland Bay Road  
Capalaba QLD 4157  
Phone 1300 76 46 26  
Website [www.snapcollars.com.au](http://www.snapcollars.com.au)

**SNAP**  
collar  
The only Smoke and Fire Collar