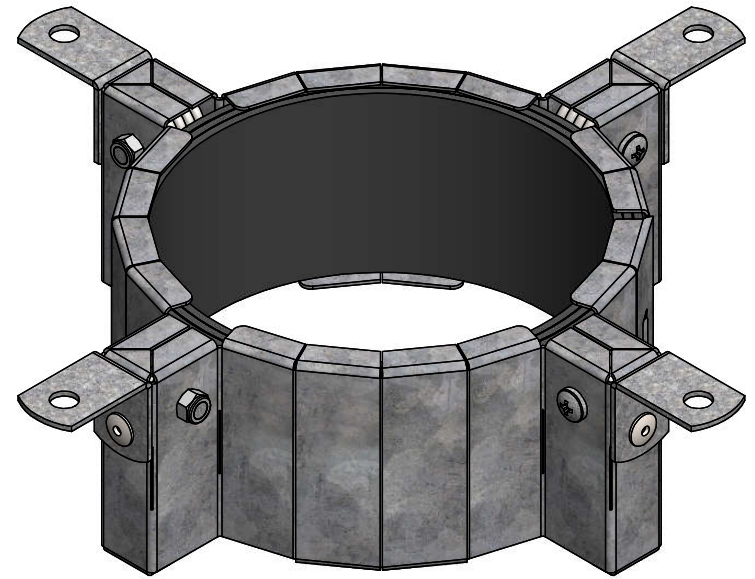
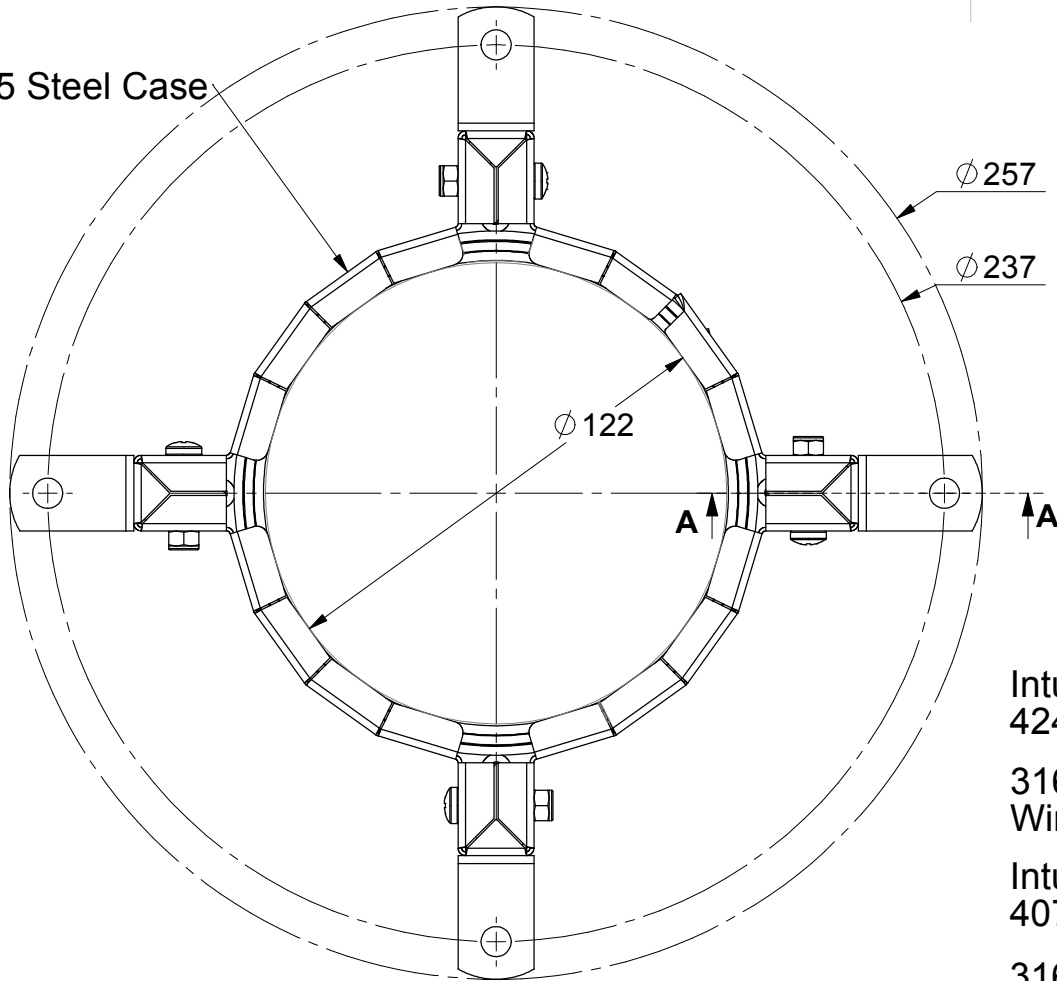


0.95 Steel Case



**INTUMESH (PAT PENDING)**

Intumescent-A  
424 x 58 x 2.5mm Thick ± 0.5mm

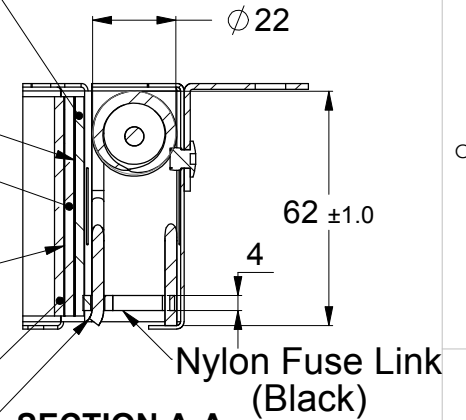
316 S/S Mesh-A 415 x 58mm  
Wire Ø 0.15 mm 30 sq in

Intumescent-B  
407 x 58 x 2.5mm Thick ± 0.5mm

316 S/S Mesh-B 398 x 58mm  
Wire Ø 0.15 mm 30 sq in

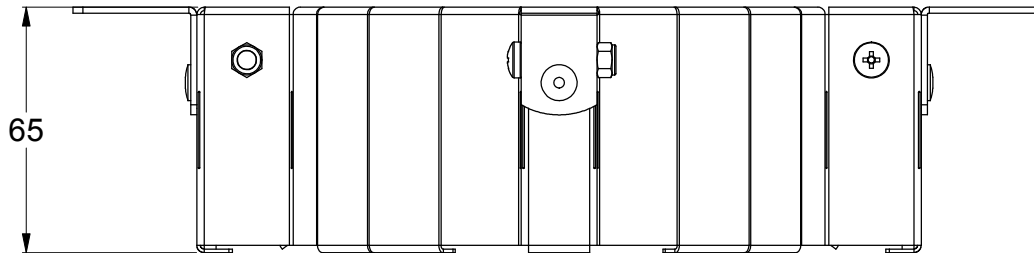
Intumescent-C  
389 x 58 x 2.5mm Thick ± 0.5mm

4 x 304 Stainless Steel Springs  
Wire Ø 3.15 mm



**SECTION A-A**

Nylon Fuse Link  
(Black)



UNLESS OTHERWISE SPECIFIED:  
DIMENSIONS ARE IN MILLIMETERS  
DO NOT SCALE DRAWING



PRODUCT CODE:  
**LP100R-B**

DWG NO:  
LP100R-B-T

DATE:  
26/08/2016

A4