

Rubber Ring Seal

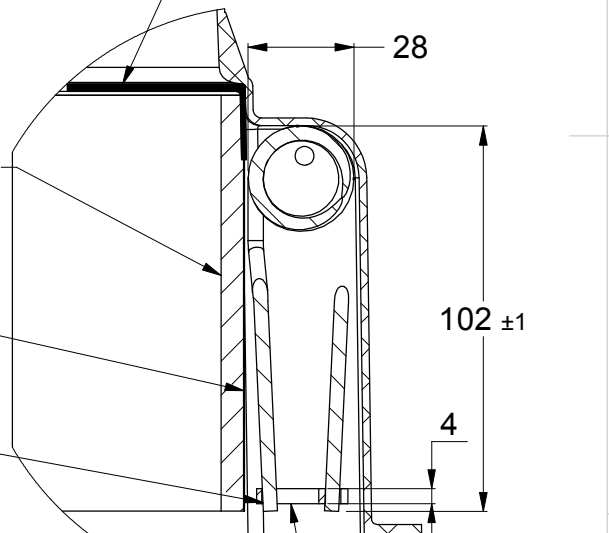
INTUMESH (PAT PENDING)

Intumescent
588 x 110 x 6mm Thick ± 0.5 mm

304 S/S Mesh
640 x 109mm

Wire $\phi 0.15$ mm 30 sq in

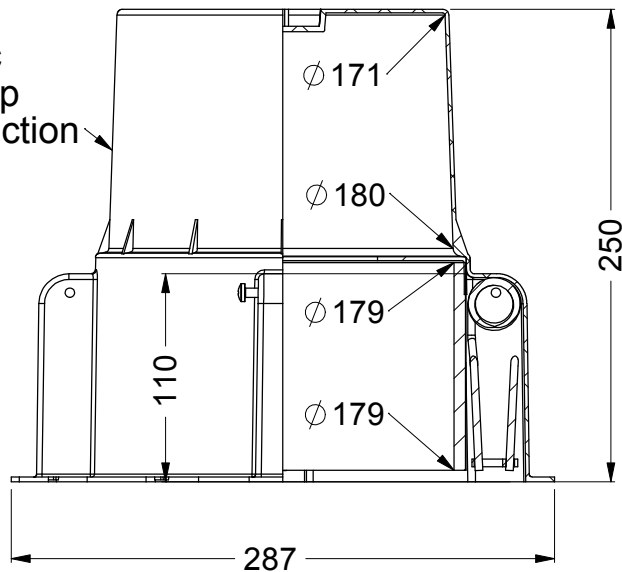
4 x 304 Stainless Steel Springs
Wire $\phi 4.00$ mm



**DETAIL A-A PART VIEW
SCALE 1 : 2**

Nylon Fuse Link
(Black)

One Piece
Moulded Plastic
Base & High Top
2.0 mm Wall Section



	PRODUCT CODE:		
	H150FWS-RR		
DWG NO:	DATE:	A4	
H150FWS-RR-T	21/03/2016		

UNLESS OTHERWISE SPECIFIED:
DIMENSIONS ARE IN MILLIMETERS
DO NOT SCALE DRAWING