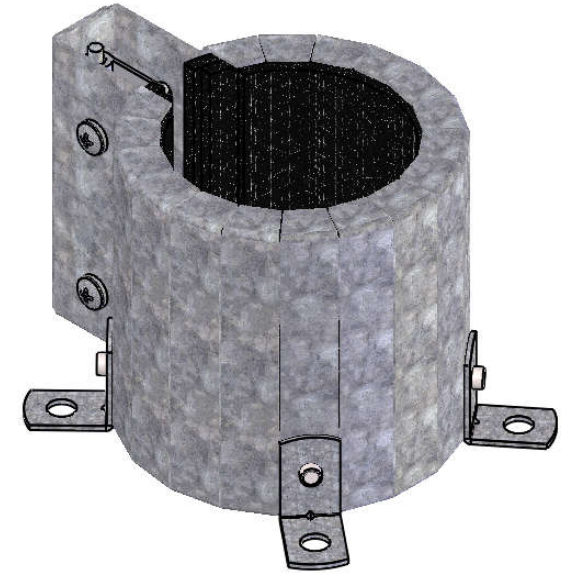
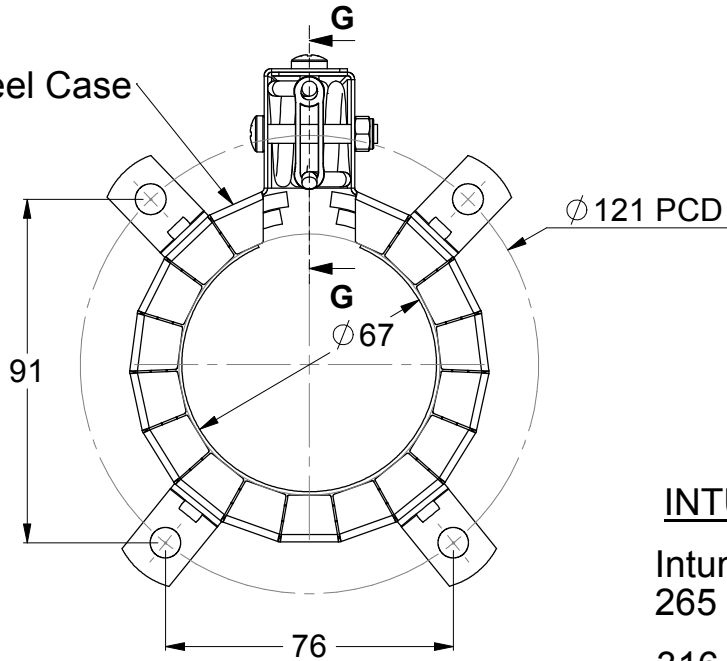


0.95 Steel Case



INTUMESH (PAT PENDING)

Intumescent-A
265 x 85 x 4mm Thick ± 0.5mm

316 S/S Mesh-A 230 x 84mm
Wire Ø0.15 mm 30 sq in

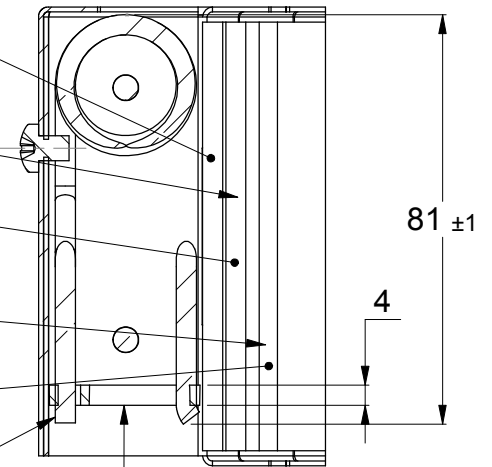
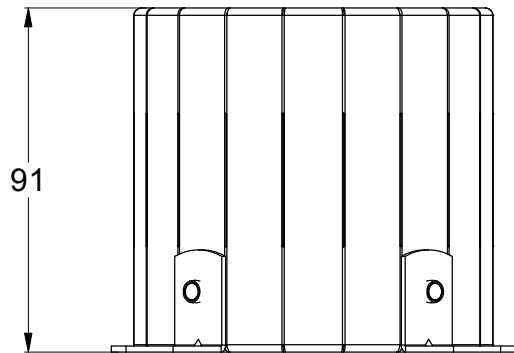
Intumescent-B
235 x 85 x 4mm Thick ± 0.5mm

316 S/S Mesh-B 200 x 84mm
Wire Ø0.15 mm 30 sq in

Intumescent-C
200 x 85 x 4mm Thick ± 0.5mm

1 x 304 Stainless Steel Springs
Wire Ø4.00 mm

Nylon Fuse Link
(Black)



SECTION G-G



PRODUCT CODE:

GAS63

DWG NO:
GAS63-B-T

DATE:
20/09/2016

A4

UNLESS OTHERWISE SPECIFIED:
DIMENSIONS ARE IN MILLIMETERS
DO NOT SCALE DRAWING