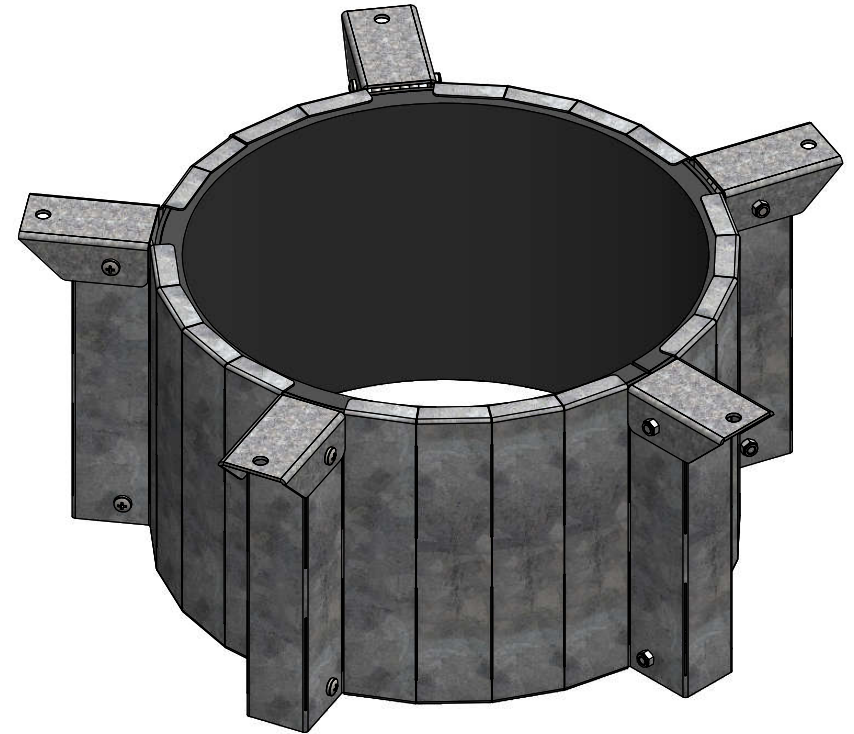
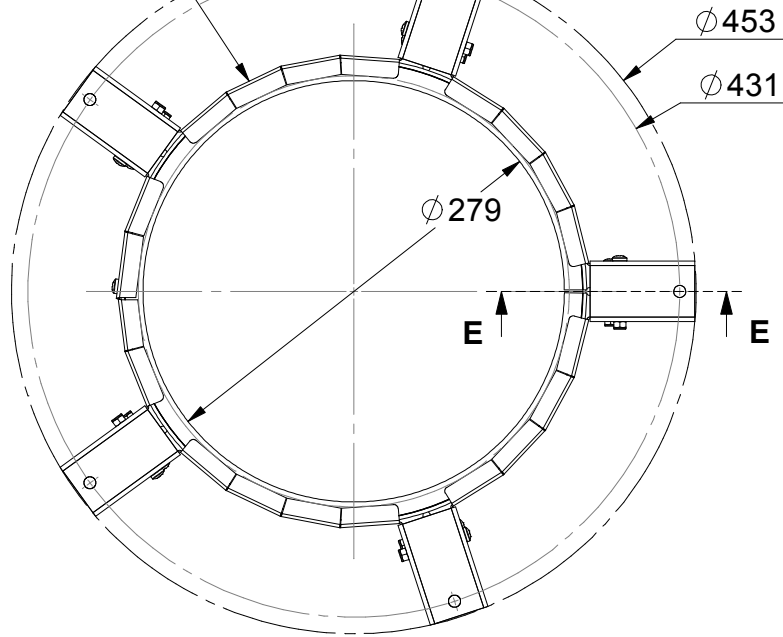


0.95 Steel Case



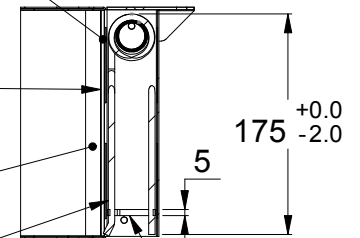
INTUMESH (PAT PENDING)

Intumescent-A
958 x 179 x 2.5mm Thick ± 0.5mm

316 S/S Mesh
949 x 174mm
Wire Ø 0.15 mm 30 sq in

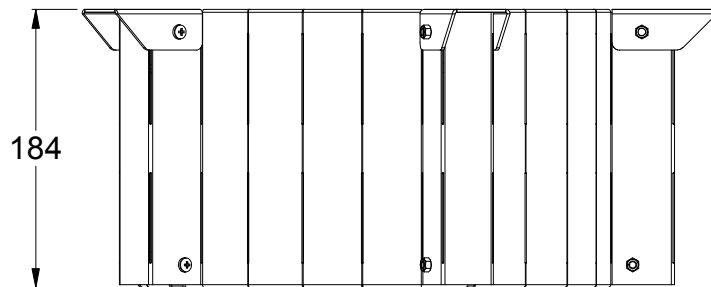
Intumescent-B
910 x 179 x 12mm Thick ± 0.5mm

5 x 304 Stainless Steel
Springs
Wire Ø 5 mm



Nylon Fuse Link
(Black)

SECTION E-E



	PRODUCT CODE:	
	HP250R-B	
DWG NO:	DATE:	
HP250R-B-T	15/08/2017	A4

UNLESS OTHERWISE SPECIFIED:
DIMENSIONS ARE IN MILLIMETERS
DO NOT SCALE DRAWING