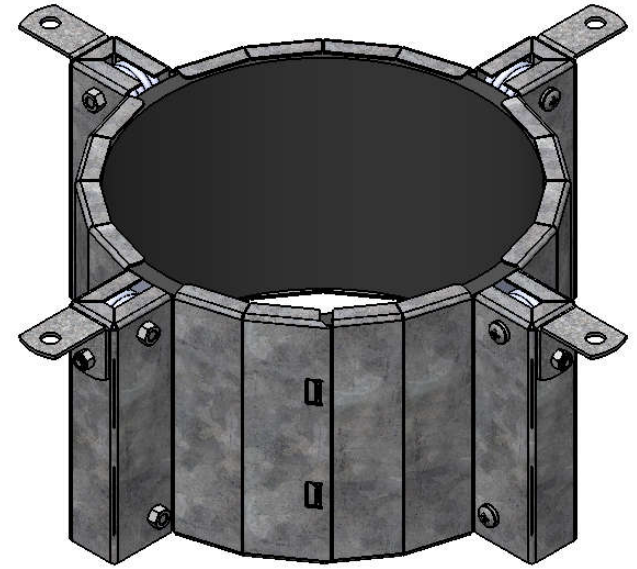
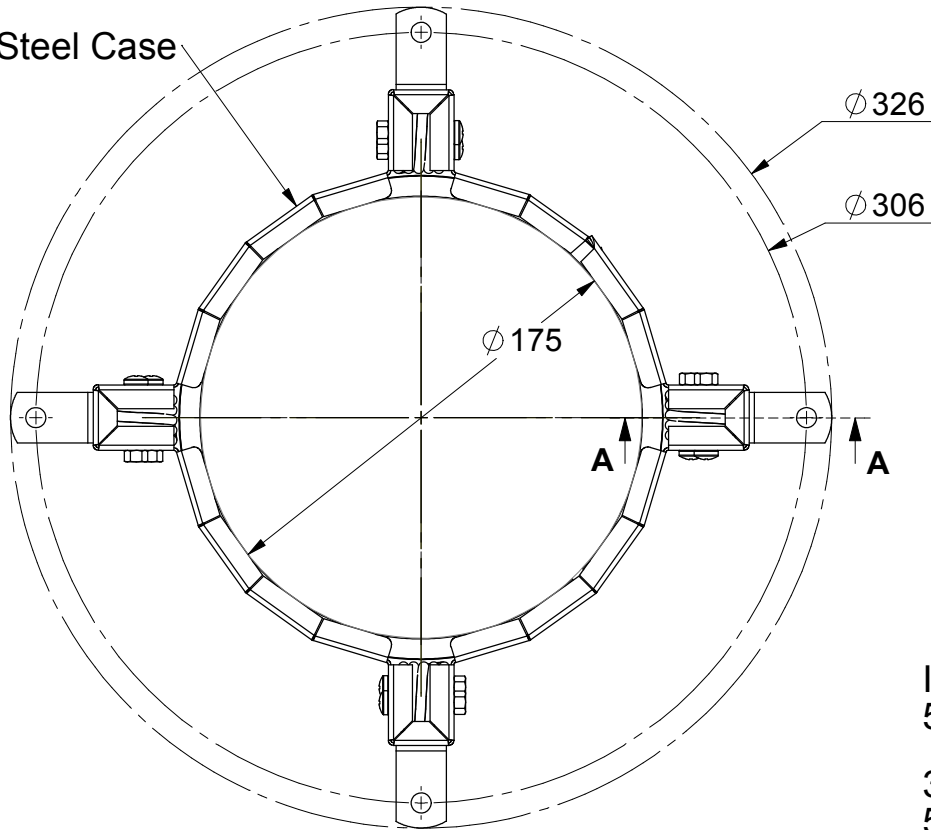


0.95 Steel Case

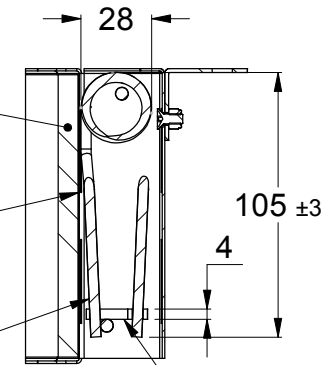


**INTUMESH (PAT PENDING)**

Intumescent  
570 x 112 x 8mm Thick  $\pm$  0.5mm

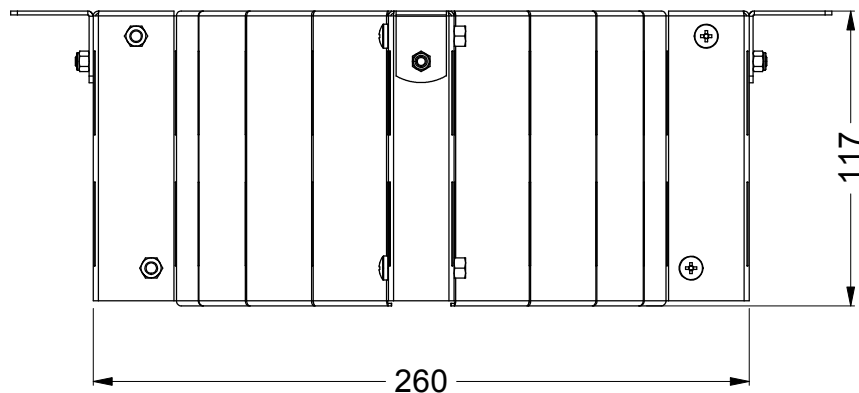
304 S/S Mesh  
596 x 112mm  
Wire  $\phi$  0.15 mm 30 sq in

4 x 304 Stainless Steel Springs  
Wire  $\phi$  4.00 mm



Nylon Fuse Link  
(Black)

**SECTION A-A**



	PRODUCT CODE:	
	HP150R	
DWG NO:	DATE:	
HP150R - T	2/10/2015	A4

UNLESS OTHERWISE SPECIFIED:  
DIMENSIONS ARE IN MILLIMETERS  
DO NOT SCALE DRAWING