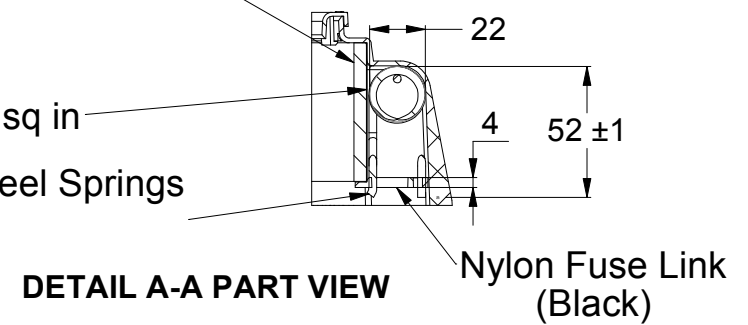


**INTUMESH (PAT. PENDING)**

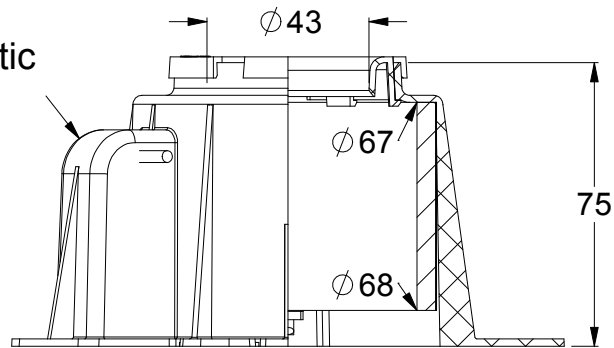
Intumescent  
230 x 55 x 5mm Thick  $\pm$  0.5mm

316 S/S Mesh  
268 x 55mm  
Wire  $\phi$  0.15 mm 30 sq in

3 x 304 Stainless Steel Springs  
Wire  $\phi$  3.15 mm



Moulded Plastic Body



UNLESS OTHERWISE SPECIFIED:  
DIMENSIONS ARE IN MILLIMETERS  
DO NOT SCALE DRAWING



PRODUCT CODE:

**L50FWS**

DWG NO:  
L40-50FWS-T

DATE:  
9/06/2016

A4