

Installation instructions

Floor Slab Installation

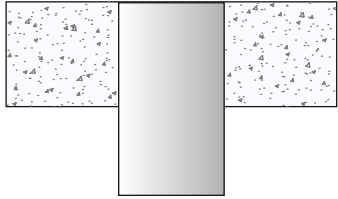
Product

SNAP 'R' Retro Fit Collars:

LP50 - LP100R
HP100R - HP250R
32R - 110R

Situation

Retrofit to concrete slab: Floorwaste and stack



1

It is very important that the collar and intumescent are fitted the correct way up. Preferably the collar should be fitted before the pipe is fitted; this will obviate the need to fit the collar round the pipe, however this can easily be done provided the intumescent and mesh are replaced correctly. The folded mesh creates a pouch for the expanded intumescent preventing it from falling out of the collar.

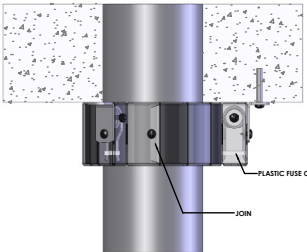


2

1. For HP and LP collars, the collar must have the tails of the springs and the plastic fuse clip holding them together on the underside of the collar.

2. The minimum size of the sleeve anchors to be used is 6.5 x 35 long and they must be all steel. Plastic or aluminium pin anchors must NOT be used.

IMPORTANT The intumescent sleeve must not be altered or tampered with.



3

Approved fixings:

- Steel Wedge Anchor 6x35mm
- 6.5x40mm Mechanical Anchor
- Mushroom Head Spikes
- Concrete Screws

Installation instructions

Wall mount

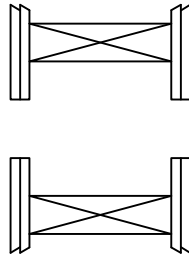
Product

SNAP 'R' Retro Fit Collars:

LP50R - LP100R
HP100R - HP250R
32R - 110R

Situation

Retrofit to Plasterboard, Masonry or Concrete Wall



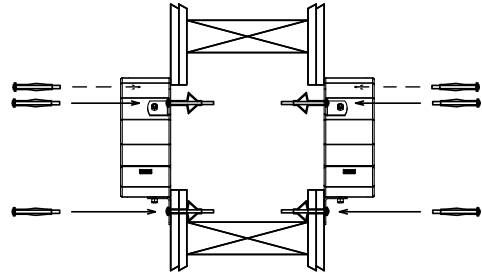
1

1. Drill or Core a hole through wall.

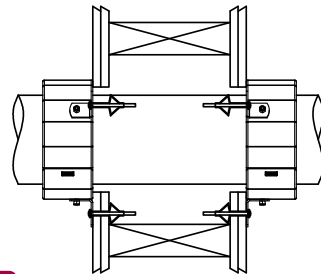
2a. Preferably, install collar before installing pipe through penetration.

2b. Otherwise, slide/clasp collar onto pipe and fix to wall with approved fixing.

IMPORTANT The intumescent sleeve must not be altered or tampered with.



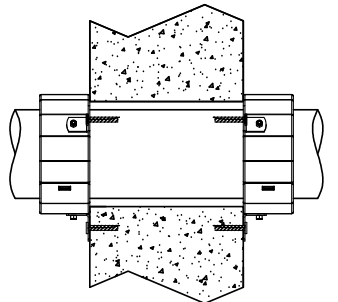
2a



Approved fixings:

- Plasterboard
 - Hollow wall anchors
 - 6mm Threaded bar
- Masonry
 - 6x35mm Steel wedge anchor
 - 6.5x40mm Dynabolt
 - Hex screws
- Masonry, Block or Concrete Wall

2b



SNAP
Collar

The only Smoke and Fire Collar

SNAP Fire Systems Pty Ltd
Building A, 1343 Wynnnum Road
Tingalpa QLD 4178
Phone 1300 76 46 26
Website www.snappcollars.com.au

SNAP
Collar

The only Smoke and Fire Collar

SNAP Fire Systems Pty Ltd
Building A, 1343 Wynnnum Road
Tingalpa QLD 4178
Phone 1300 76 46 26
Website www.snappcollars.com.au