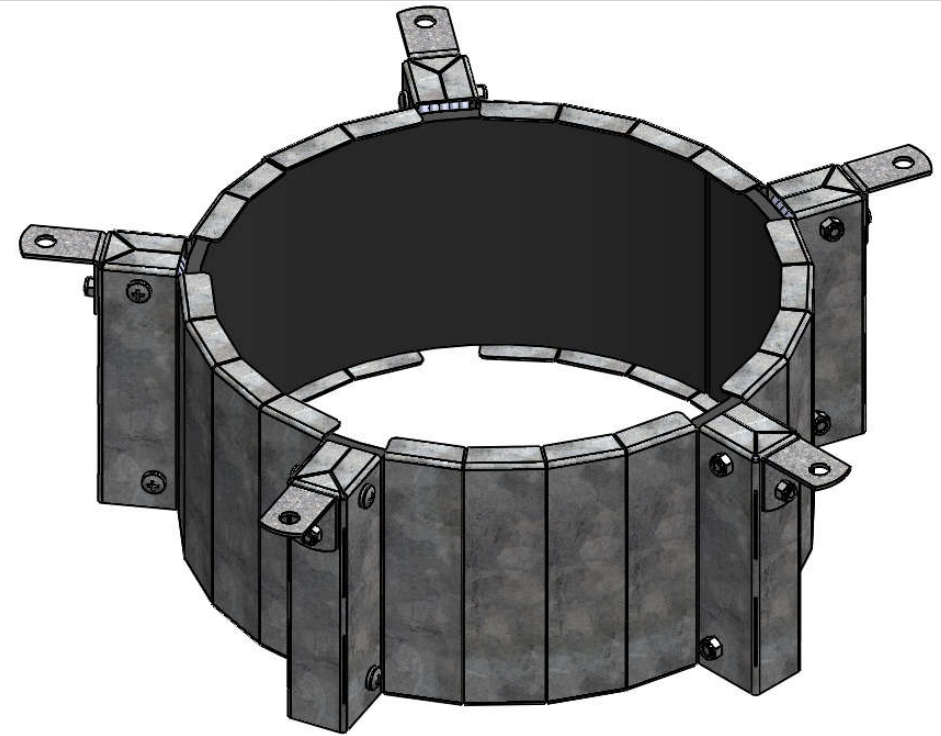
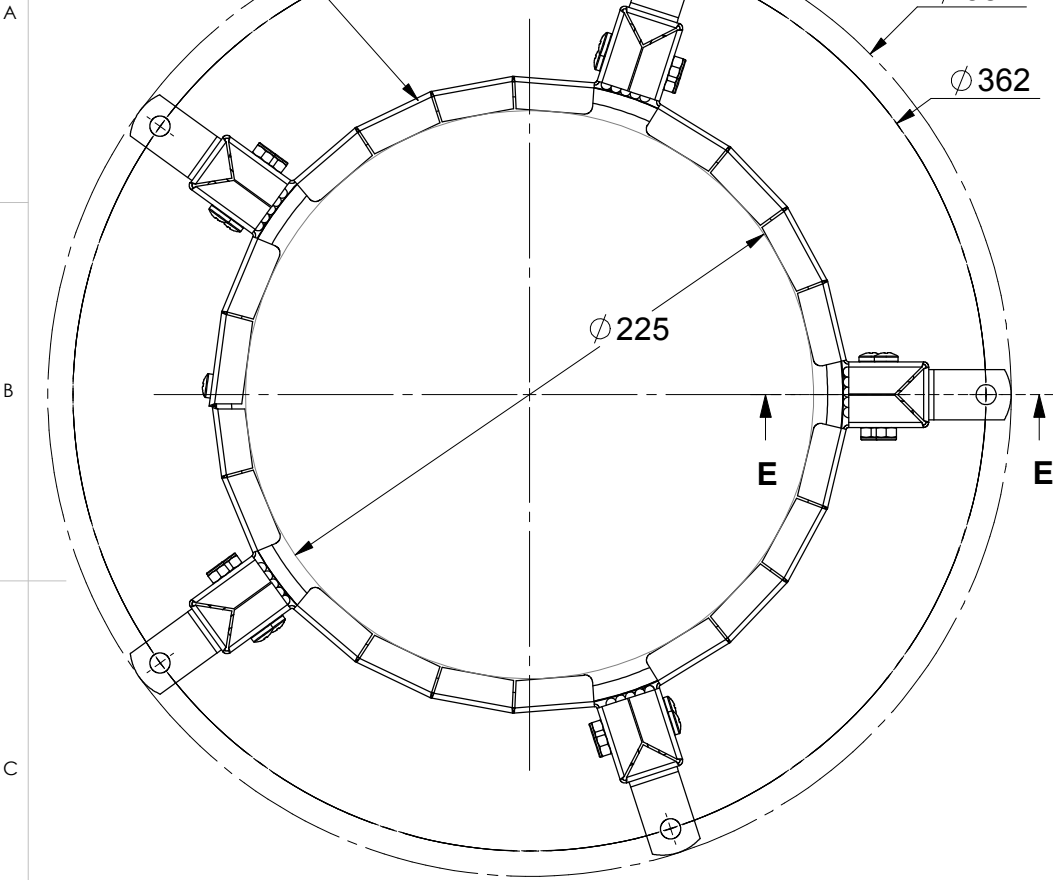


0.95 Steel Case

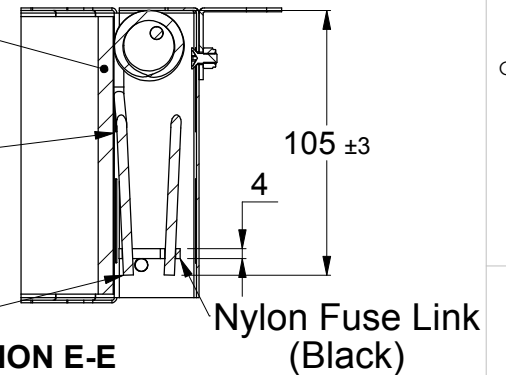


INTUMESH (PAT PENDING)

Intumescent  
760 x 110 x 6mm Thick  $\pm 0.5$ mm

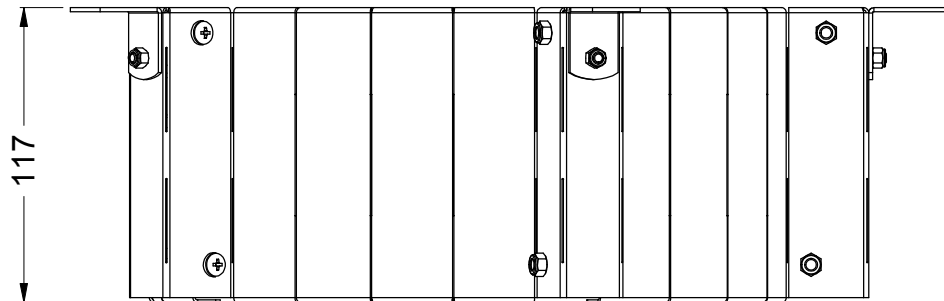
304 S/S Mesh  
764 x 112mm  
Wire  $\phi 0.15$  mm 30 sq in

5 x 304 Stainless Steel  
Springs  
Wire  $\phi 4.00$  mm



SECTION E-E

Nylon Fuse Link  
(Black)



UNLESS OTHERWISE SPECIFIED:  
DIMENSIONS ARE IN MILLIMETERS  
DO NOT SCALE DRAWING



PRODUCT CODE:

LP200R

DWG NO:  
LP200R-T

DATE:  
16/11/2015

A4