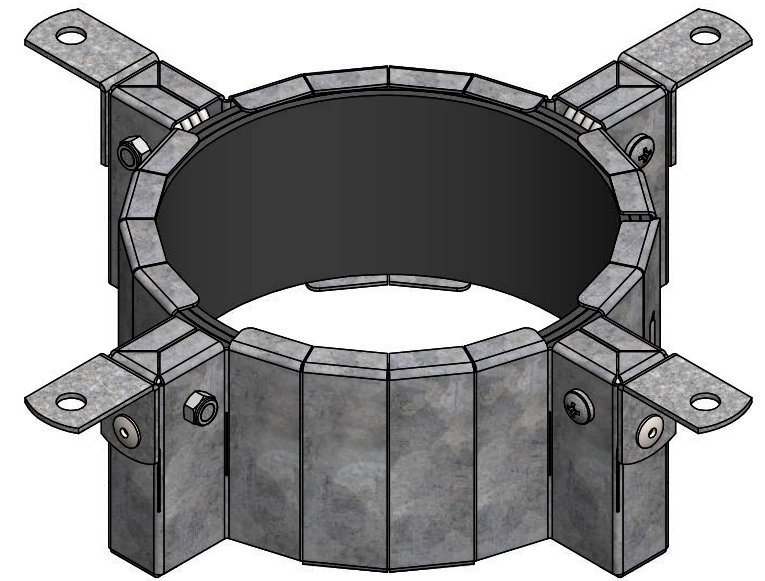
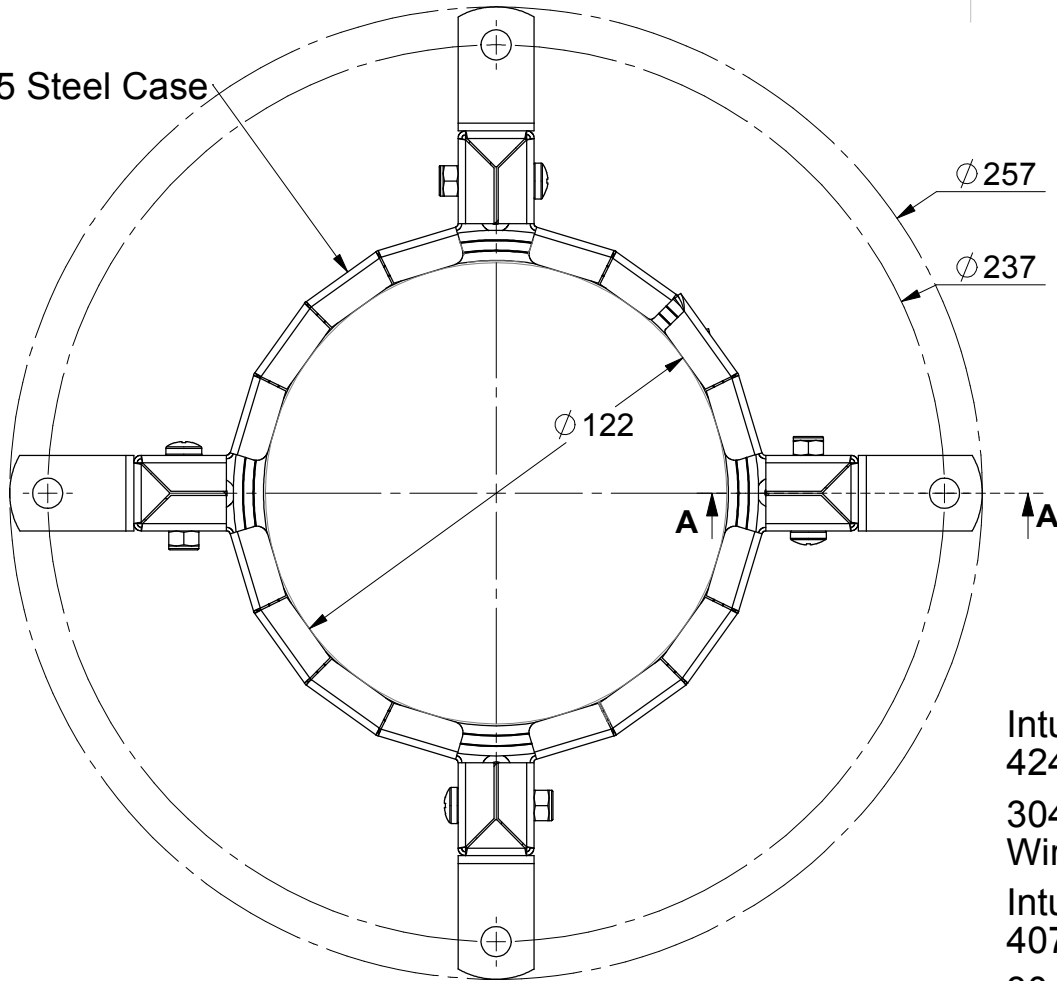
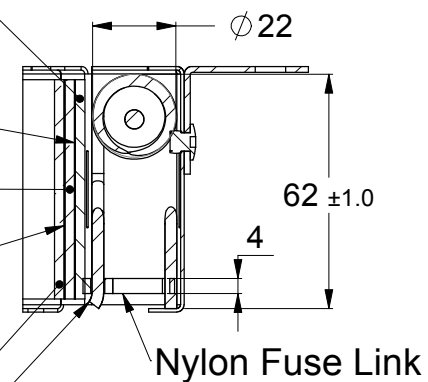


0.95 Steel Case

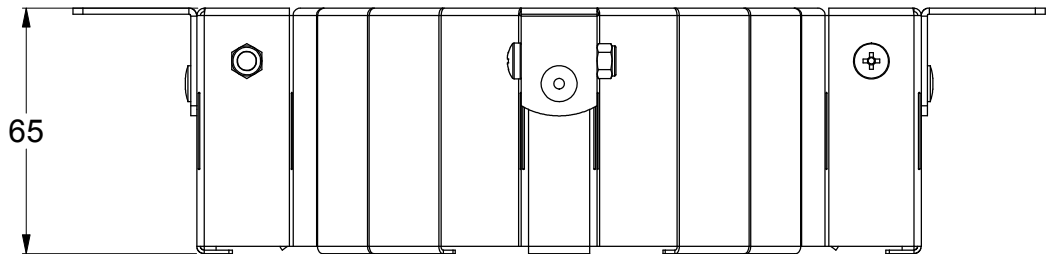


INTUMESH (PAT PENDING)

- Intumescent-A
424 x 58 x 2.5mm Thick ± 0.5mm
304 S/S Mesh 415 x 58mm
Wire Ø 0.15 mm 30 sq in
- Intumescent-B
407 x 58 x 2.5mm Thick ± 0.5mm
304 S/S Mesh 398 x 58mm
Wire Ø 0.15 mm 30 sq in
- Intumescent-C
389 x 58 x 2.5mm Thick ± 0.5mm
4 x 304 Stainless Steel Springs
Wire Ø 3.15 mm



SECTION A-A



UNLESS OTHERWISE SPECIFIED:
DIMENSIONS ARE IN MILLIMETERS
DO NOT SCALE DRAWING



| | | | |
|---------------|------------|----------|------------|
| PRODUCT CODE: | | LP100R-B | |
| DWG NO: | LP100R-B-T | DATE: | 10/09/2015 |
| | | A4 | |