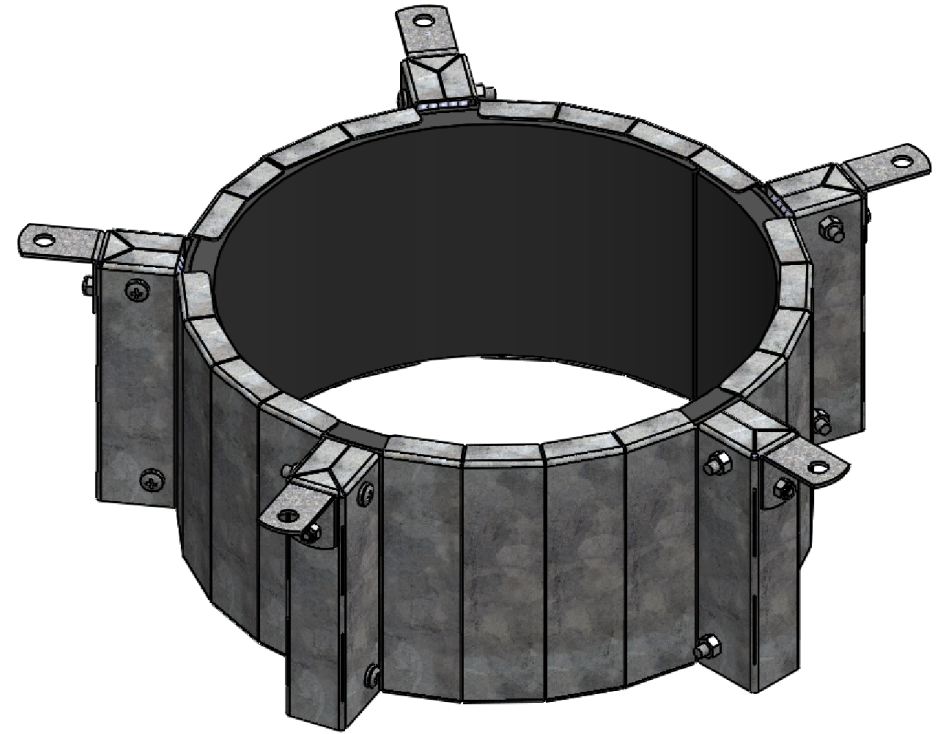
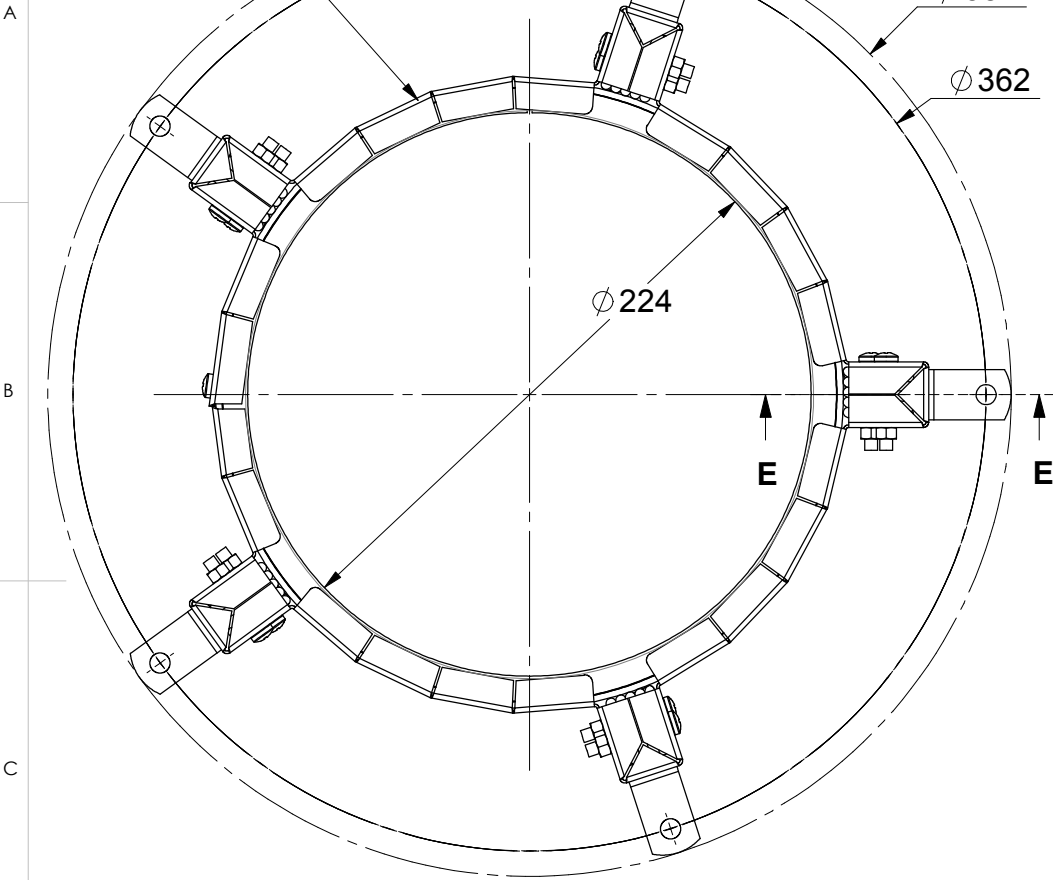
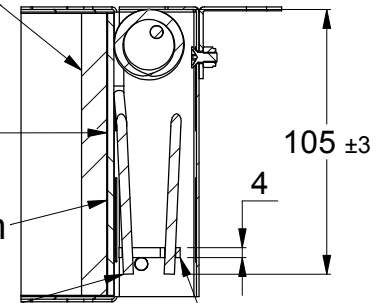


0.95 Steel Case

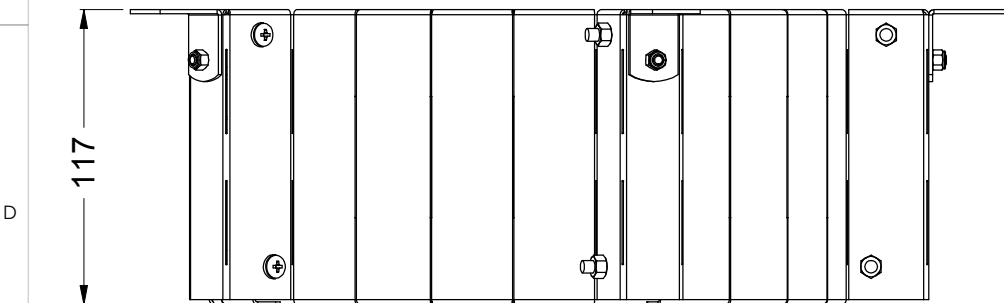


INTUMESH (PAT PENDING)

- Intumescent-A
732 x 112 x 10mm Thick ± 0.5 mm
- 304 S/S Mesh
764 x 112mm
- Wire $\phi 0.15$ mm 30 sq in
- Intumescent-B
772 x 112 x 2.5mm Thick ± 0.5 mm
- 5 x 304 Stainless Steel Springs
Wire $\phi 4.00$ mm



SECTION E-E Nylon Fuse Link



UNLESS OTHERWISE SPECIFIED:
DIMENSIONS ARE IN MILLIMETERS
DO NOT SCALE DRAWING



PRODUCT CODE:

LP200R

DWG NO:
LP200R-T

DATE:
3/11/2014

A4