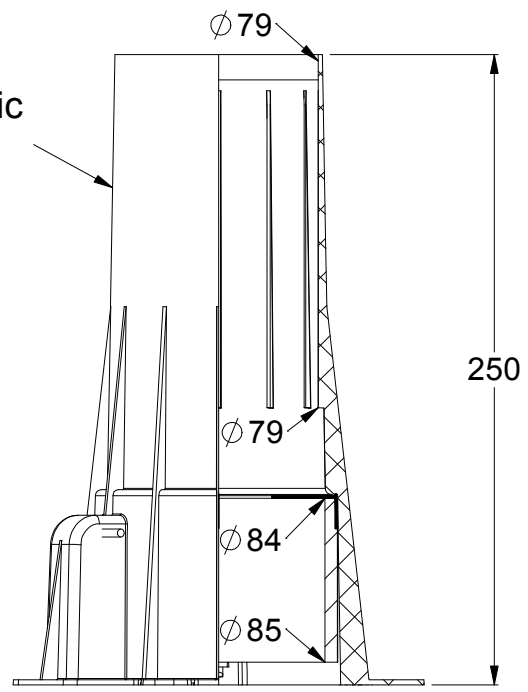
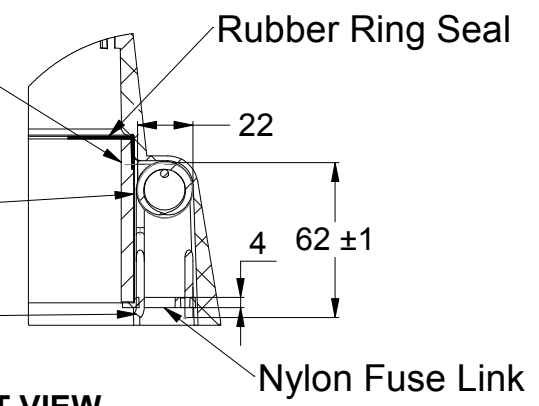


Moulded Plastic Body



INTUMESH (PAT. PENDING)

- Intumescent
280 x 65 x 5mm Thick ± 0.5 mm
- 304 S/S Mesh
322 x 65mm
Wire $\phi 0.15$ mm 30 sq in
- 3 x 304 Stainless Steel Springs
Wire $\phi 3.15$ mm



DETAIL A-A PART VIEW



PRODUCT CODE:	
H65FWS-RR	
DWG NO:	DATE:
H65FWS-RR-T	23/04/2015
A4	

UNLESS OTHERWISE SPECIFIED:
DIMENSIONS ARE IN MILLIMETERS
DO NOT SCALE DRAWING