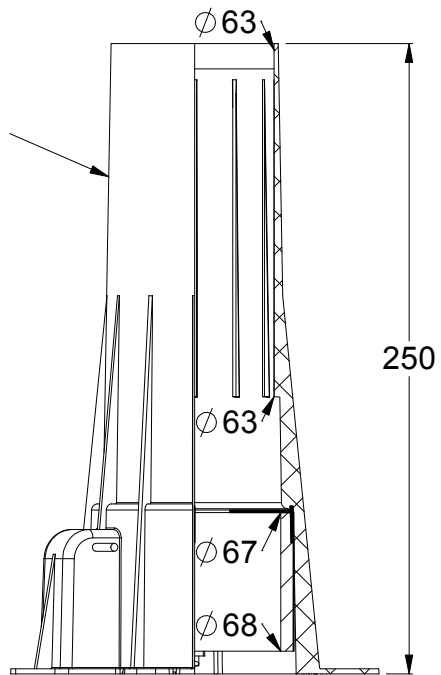


Moulded Plastic Body



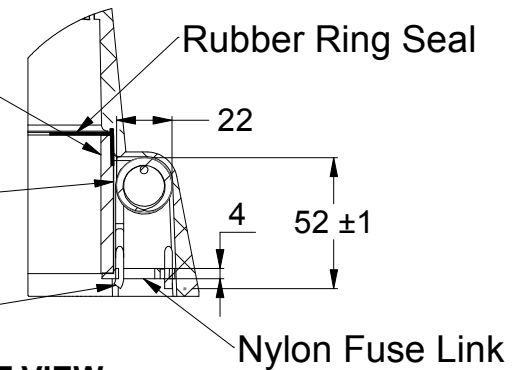
INTUMESH (PAT. PENDING)

Intumescent  
230 x 55 x 5mm Thick  $\pm 0.5\text{mm}$

304 S/S Mesh  
268 x 55mm

Wire  $\phi 0.15\text{ mm}$  30 sq in

3 x 304 Stainless Steel Springs  
Wire  $\phi 3.15\text{ mm}$



DETAIL A-A PART VIEW



PRODUCT CODE:

H50FWS-RR

DWG NO:  
H50FWS-RR-T

DATE:  
23/04/2015

A4

UNLESS OTHERWISE SPECIFIED:  
DIMENSIONS ARE IN MILLIMETERS  
DO NOT SCALE DRAWING