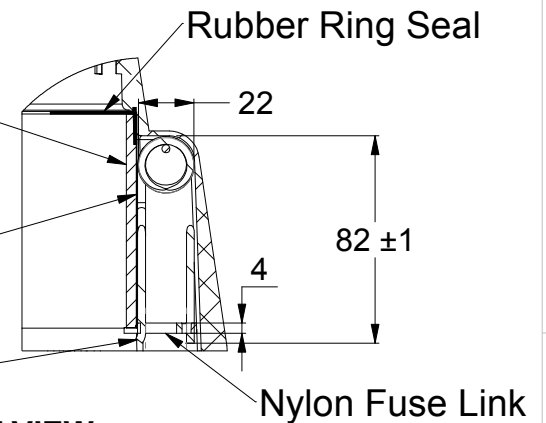


INTUMESH (PAT. PENDING)

Intumescent
412 x 85 x 4mm Thick ± 0.5 mm

304 S/S Mesh
460 x 85mm
Wire $\phi 0.15$ mm 30 sq in

3 x Galvanised Steel Springs
Wire $\phi 3.15$ mm



DETAIL A-A PART VIEW

UNLESS OTHERWISE SPECIFIED:
DIMENSIONS ARE IN MILLIMETERS
DO NOT SCALE DRAWING



PRODUCT CODE:

H100S-RR

DWG NO:
H100S-RR-T

DATE:
23/04/2015

A4