

Installation instructions

Floor Slab Installation



SNAP Fire Systems Pty Ltd
 Unit 2/160 Redland Bay Road
 Capalaba QLD 4157
 Phone 1300 76 46 26
 Website www.snapcollars.com.au

Product SNAP 'R' Retro Fit Collars: LP50 - LP100R HP100R - HP250R 50R - 110R	Situation Retrofit to concrete slab: Floorwaste and stack
<div data-bbox="385 288 719 485"> </div> <div data-bbox="327 507 367 544"> <p>1</p> </div>	<p>It is very important that the collar and intumescent are fitted the correct way up. Preferably the collar should be fitted before the pipe is fitted; this will obviate the need to fit the collar round the pipe, however this can easily be done provided the intumescent and mesh are replaced correctly. The folded mesh creates a pouch for the expanded intumescent preventing it from falling out of the collar.</p>
<div data-bbox="398 600 667 804"> </div> <div data-bbox="327 804 367 839"> <p>2</p> </div>	<p>1. For HP and LP collars, the collar must have the tails of the springs and the plastic fuse clip holding them together on the underside of the collar.</p> <p>2. The minimum size of the sleeve anchors to be used is 6.5 x 35 long and they must be all steel. Plastic or aluminium pin anchors must NOT be used.</p>
<div data-bbox="398 911 719 1166"> </div> <div data-bbox="327 1166 367 1209"> <p>3</p> </div>	<p>! IMPORTANT The intumescent sleeve must not be altered or tampered with.</p> <p>Approved fixings:</p> <ul style="list-style-type: none"> • Steel Wedge Anchor 6x35mm • 6.5x40mm Mechanical Anchor • Mushroom Head Spikes • Concrete Screws

Installation instructions

Wall mount

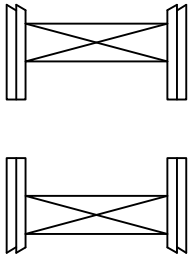
Product

SNAP 'R' Retro Fit Collars:

LP50R - LP100R
HP100R - HP250R
50R - 110R

Situation

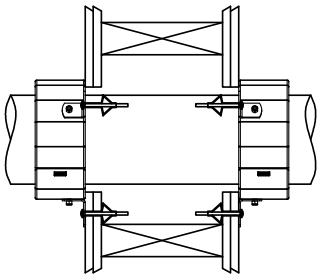
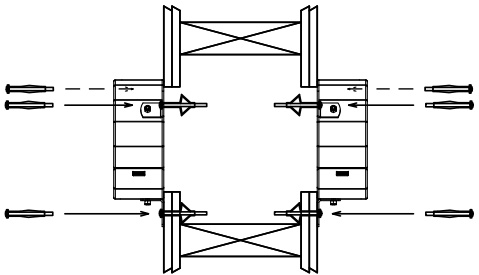
Retrofit to Plasterboard, Masonry or Concrete Wall



1

- I. Drill or Core a hole through wall.
- 2a. Preferably, install collar before installing pipe through penetration.
- 2b. Otherwise, slide/clasp collar onto pipe and fix to wall with approved fixing.

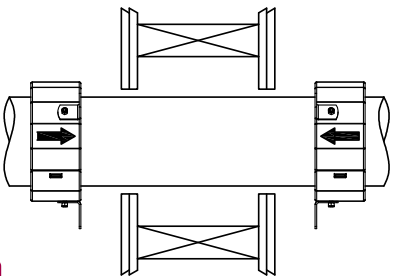
! **IMPORTANT** The intumescent sleeve must not be altered or tampered with.



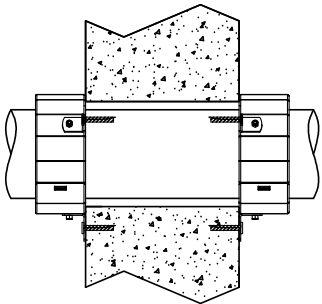
2a

Approved fixings:

- Plasterboard
- Hollow wall anchors
 - 6mm Threaded bar
- Masonry
- 6x35mm Steel wedge anchor
 - 6.5x40mm Dynabolt
 - Hex screws
- Masonry, Block or Concrete Wall



2b



SNAP
Collar

The only Smoke and Fire Collar

SNAP Fire Systems Pty Ltd
Unit 2/160 Redland Bay Road
Capalaba QLD 4157
Phone 1300 76 46 26
Website www.snapcollars.com.au