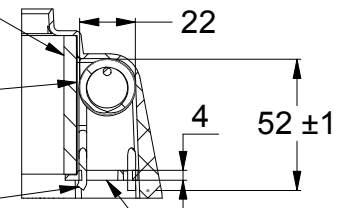


INTUMESH (PAT. PENDING)

Intumescent
230 x 55 x 5mm Thick ± 0.5 mm

316 S/S Mesh
268 x 55mm
Wire $\phi 0.15$ mm 30 sq in

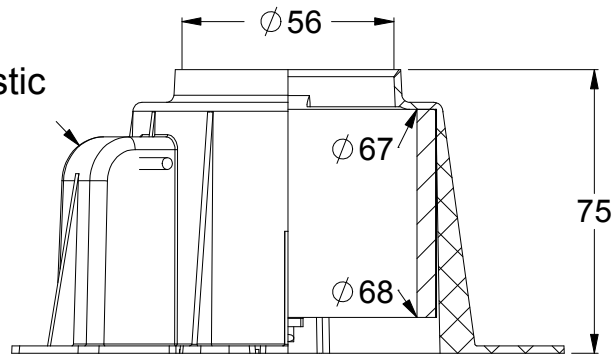
3 x 304 Stainless Steel Springs
Wire $\phi 3.15$ mm



DETAIL A-A PART VIEW

Nylon Fuse Link
(Black)

Moulded Plastic
Body



UNLESS OTHERWISE SPECIFIED:
DIMENSIONS ARE IN MILLIMETERS
DO NOT SCALE DRAWING



PRODUCT CODE:

L50FWS

DWG NO:
L50FWS-T

DATE:
9/06/2016

A4