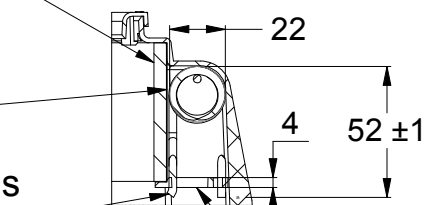


INTUMESH (PAT. PENDING)

Intumescent
230 x 55 x 5mm Thick \pm 0.5mm

316 S/S Mesh
268 x 55mm
Wire ϕ 0.15 mm 30 sq in

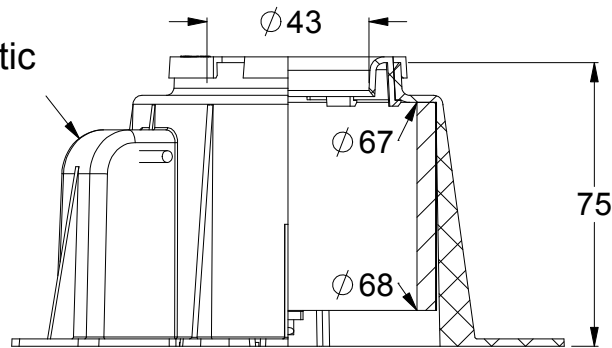
3 x 304 Galvanised Steel Springs
Wire ϕ 3.15 mm



DETAIL A-A PART VIEW

Nylon Fuse Link
(Natural)

Moulded Plastic
Body



UNLESS OTHERWISE SPECIFIED:
DIMENSIONS ARE IN MILLIMETERS
DO NOT SCALE DRAWING



PRODUCT CODE:

L50S

DWG NO:
L40-50S-T

DATE:
9/06/2016

A4