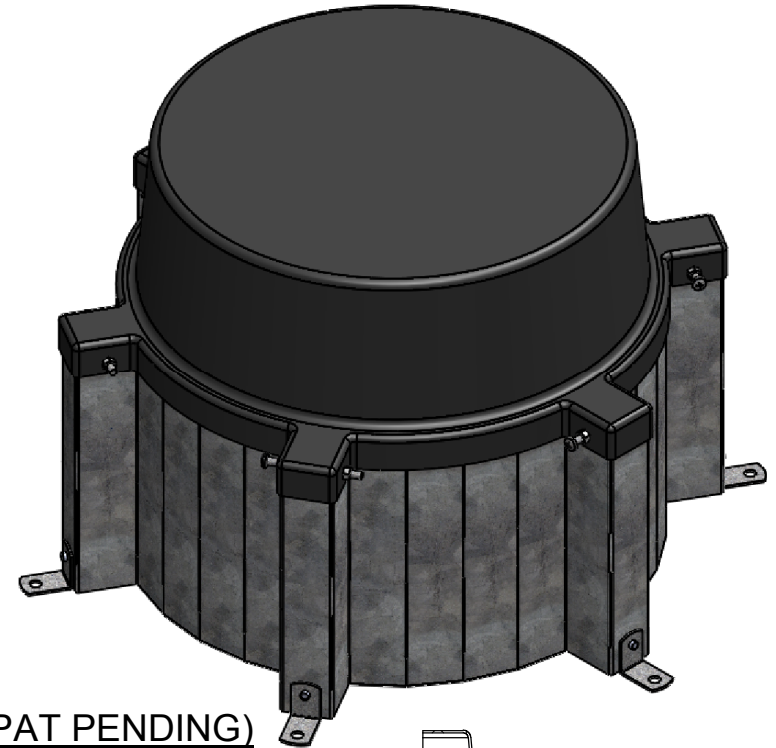
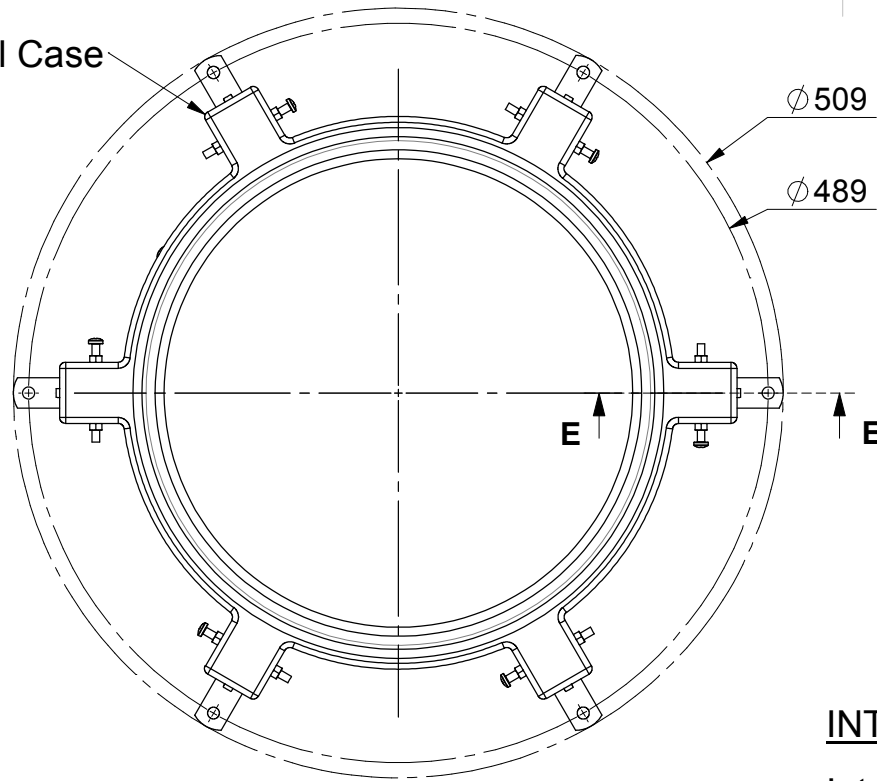


0.95 Steel Case



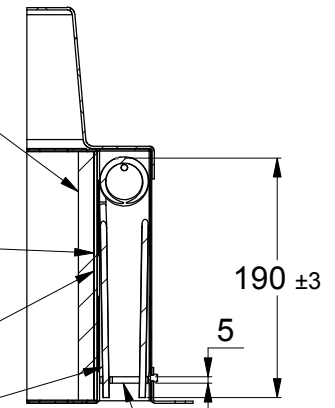
INTUMESH (PAT PENDING)

Intumescent-A
1064 x 197 x 12mm Thick ± 0.5mm

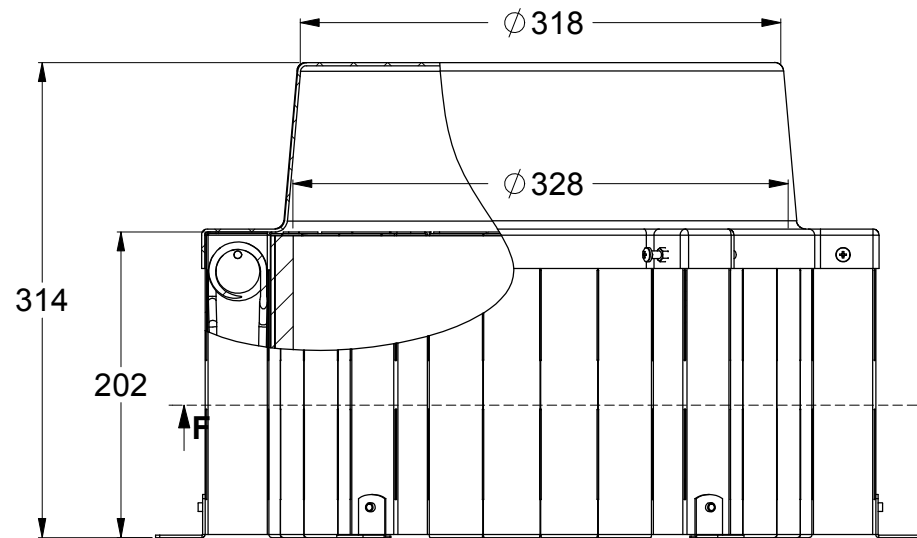
304 S/S Mesh
1103 x 197mm
Wire Ø 0.15 mm 30 sq in

Intumescent-B
1111 x 197 x 2.5mm Thick ± 0.5mm

6 x 304 Stainless Steel
Springs
Wire Ø 5 mm



SECTION E-E Nylon Fuse Link



UNLESS OTHERWISE SPECIFIED:
DIMENSIONS ARE IN MILLIMETERS
DO NOT SCALE DRAWING



PRODUCT CODE:

315 C

DWG NO:
315 C - T

DATE:
13/01/2015

A4