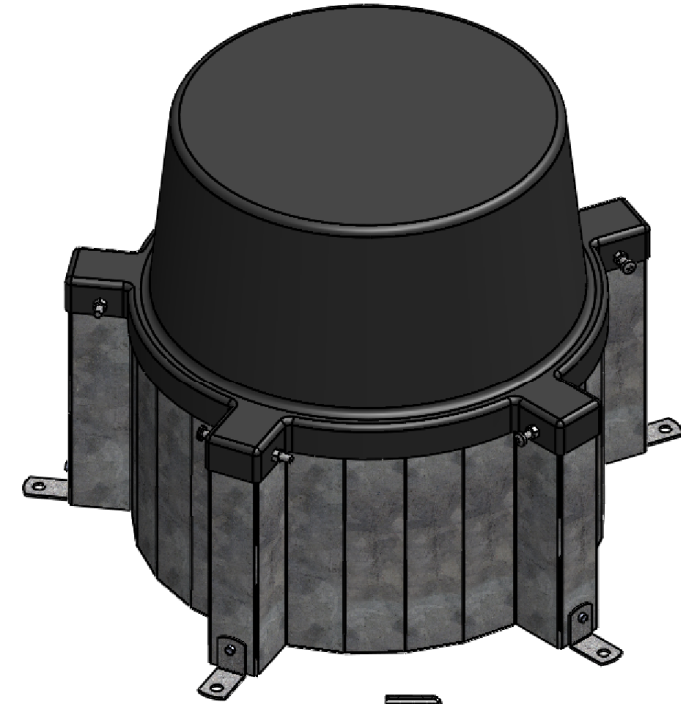
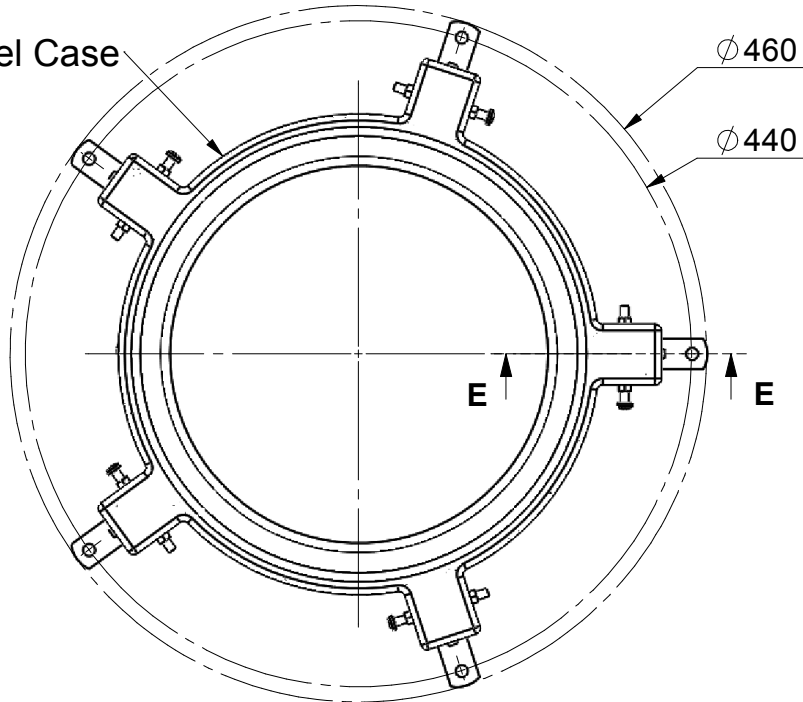


0.95 Steel Case



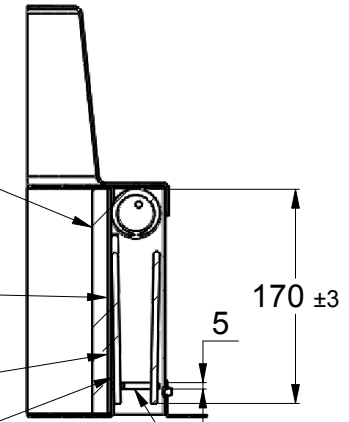
**INTUMESH (PAT PENDING)**

Intumescent-A  
910 x 179 x 12mm Thick ± 0.5mm

304 S/S Mesh  
949 x 179mm  
Wire Ø 0.15 mm 30 sq in

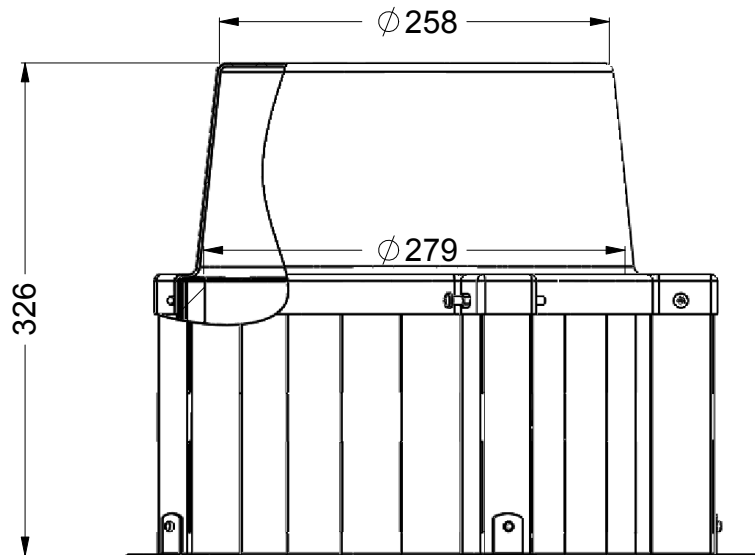
Intumescent-B  
958 x 179 x 2.5mm Thick ± 0.5mm

5 x 304 Stainless Steel  
Springs  
Wire Ø 5 mm



**SECTION E-E**

Nylon Fuse Link



UNLESS OTHERWISE SPECIFIED:  
DIMENSIONS ARE IN MILLIMETERS  
DO NOT SCALE DRAWING



PRODUCT CODE:

**250 C**

DWG NO:  
250 C - T

DATE:  
12/01/2015

A4